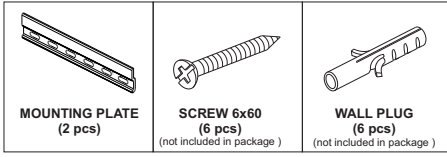
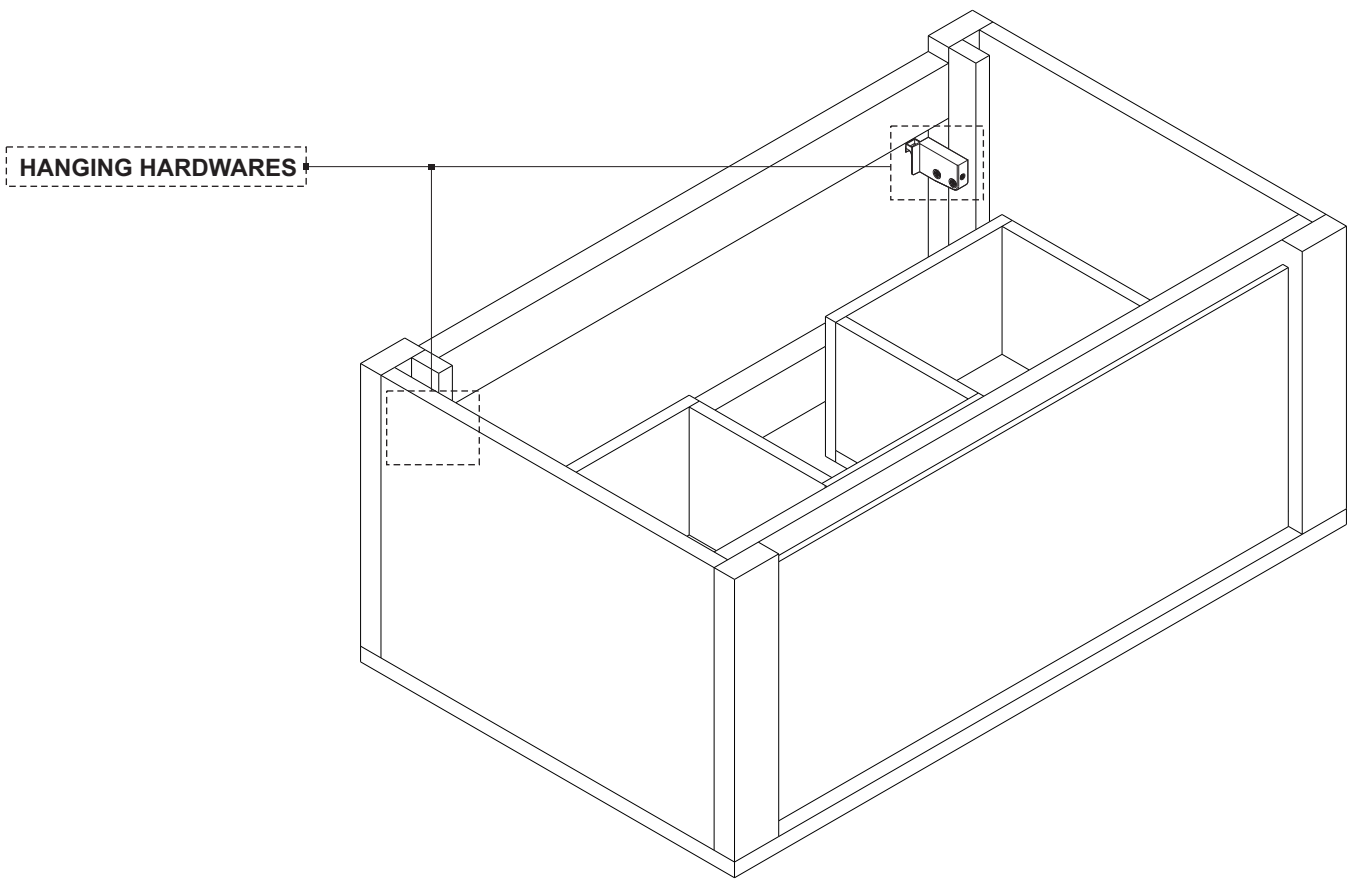
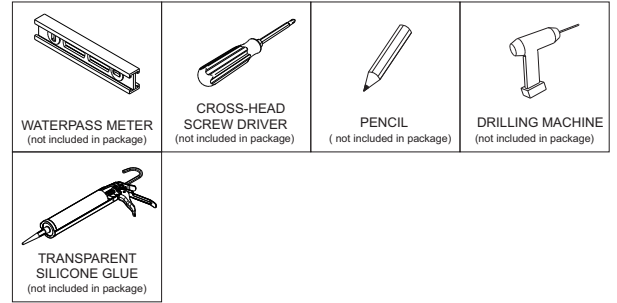


58111-58112 OAK QUALITIME BATHROOM CABINET - 1 DRAWER ASSEMBLY INSTRUCTION FOR HANGING CABINET INSTALLATION

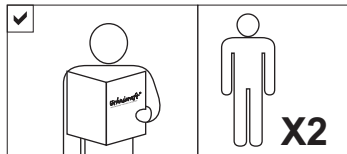
HARDWARES



TOOLS



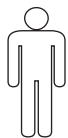
NOTICE



SYMBOLS



DIRECTION



NUMBER OF PERSON NEEDED



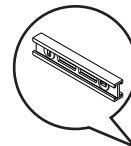
USE PENCIL TO MARK



USE SCREW DRIVER TO TIGHTEN



USE DRILLING MACHINE



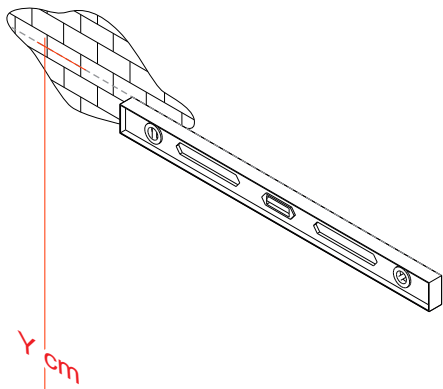
USE WATER PASS METER



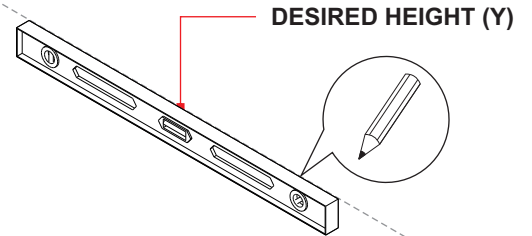
USE SILICONE GLUE

58111-58112 OAK QUALITIME BATHROOM CABINET - 1 DRAWER ASSEMBLY INSTRUCTION FOR HANGING CABINET INSTALLATION

A. SETTING DESIRED HEIGHT



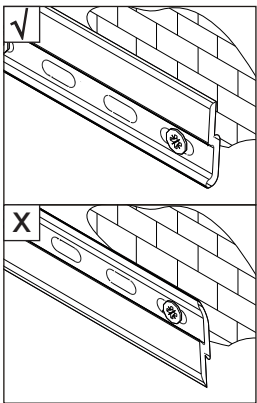
B. MAKING MARKS FOR DRILLING POINTS



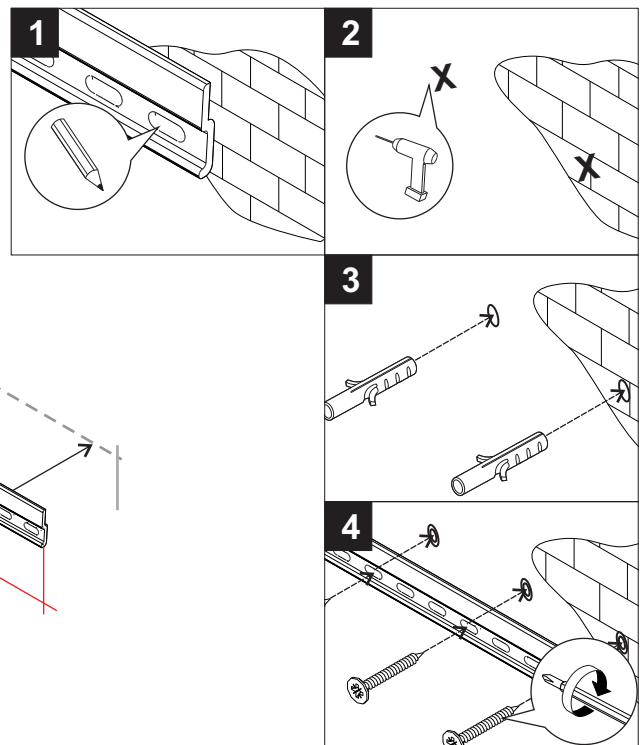
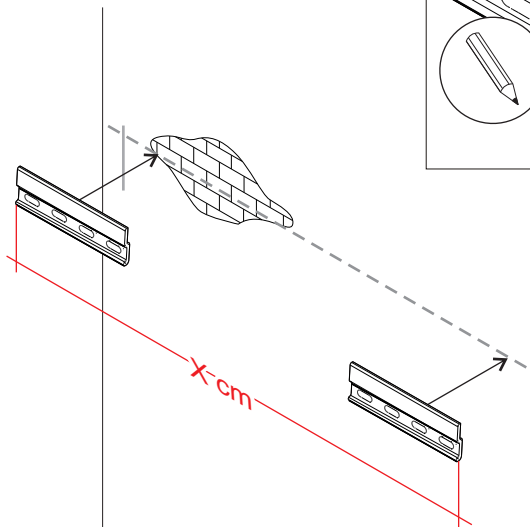
**USE WATERPASS FOR ALIGNMENT
Y = DESIRED HEIGHT OF THE ITEM**

C. INSTALLING MOUNTING PLATES

NOTE :

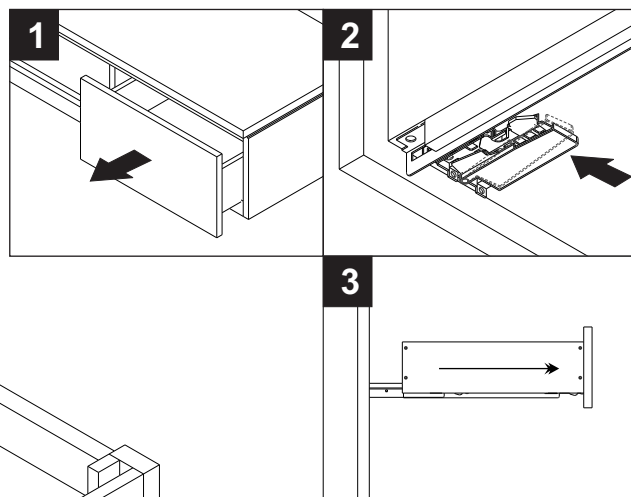
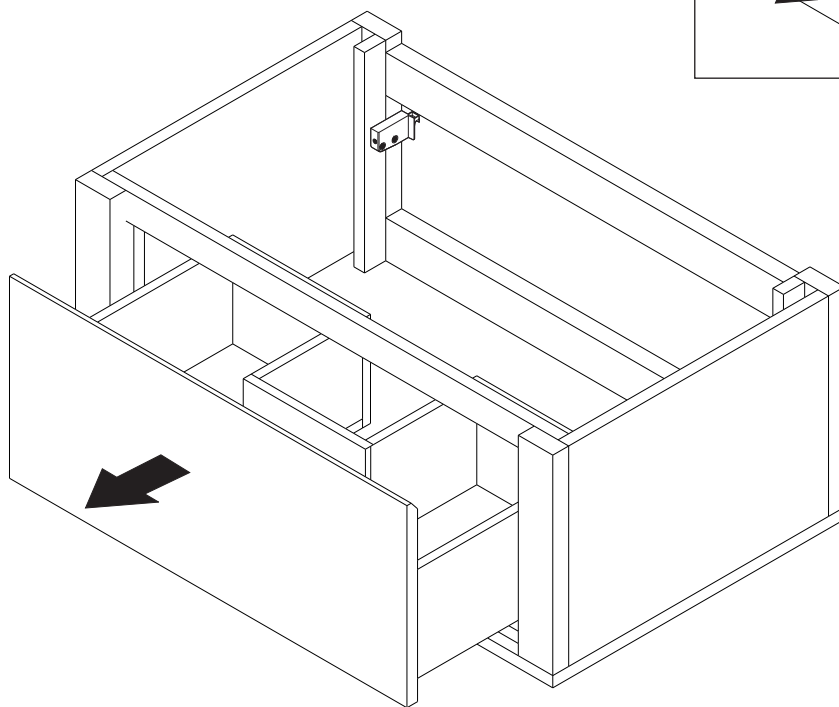


| Code | X |
|-------|-------|
| 58111 | 76.5 |
| 58112 | 106.5 |

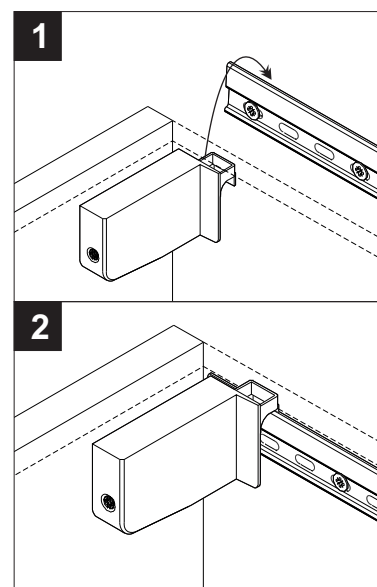
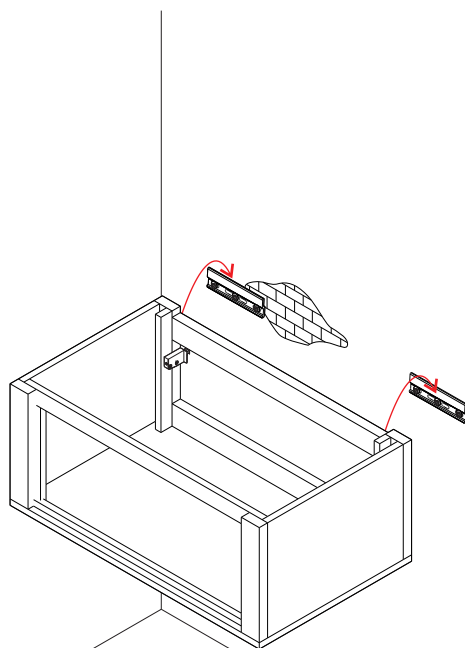
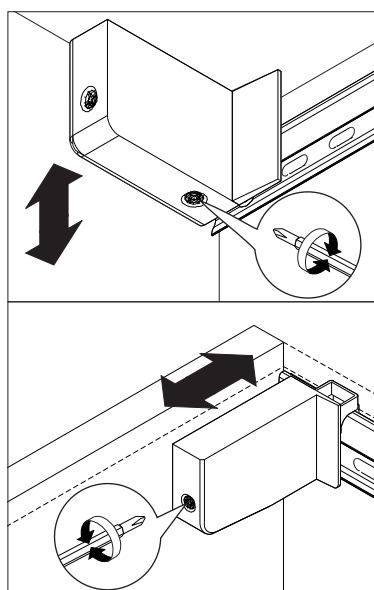


58111-58112 OAK QUALITIME BATHROOM CABINET - 1 DRAWER
ASSEMBLY INSTRUCTION FOR HANGING CABINET INSTALLATION

D. REMOVING THE DRAWERS



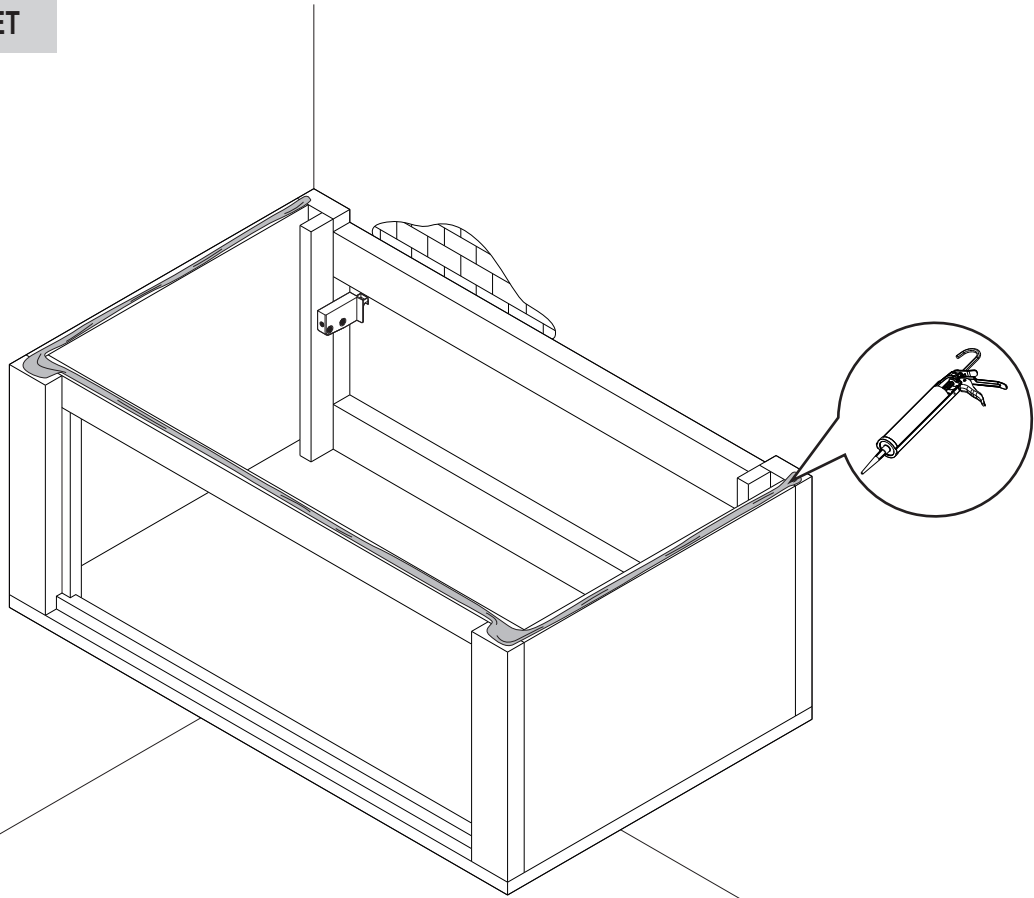
E. INSTALLING ITEM TO THE MOUNTING PLATES



⚠ ADJUST IF NECESSARY

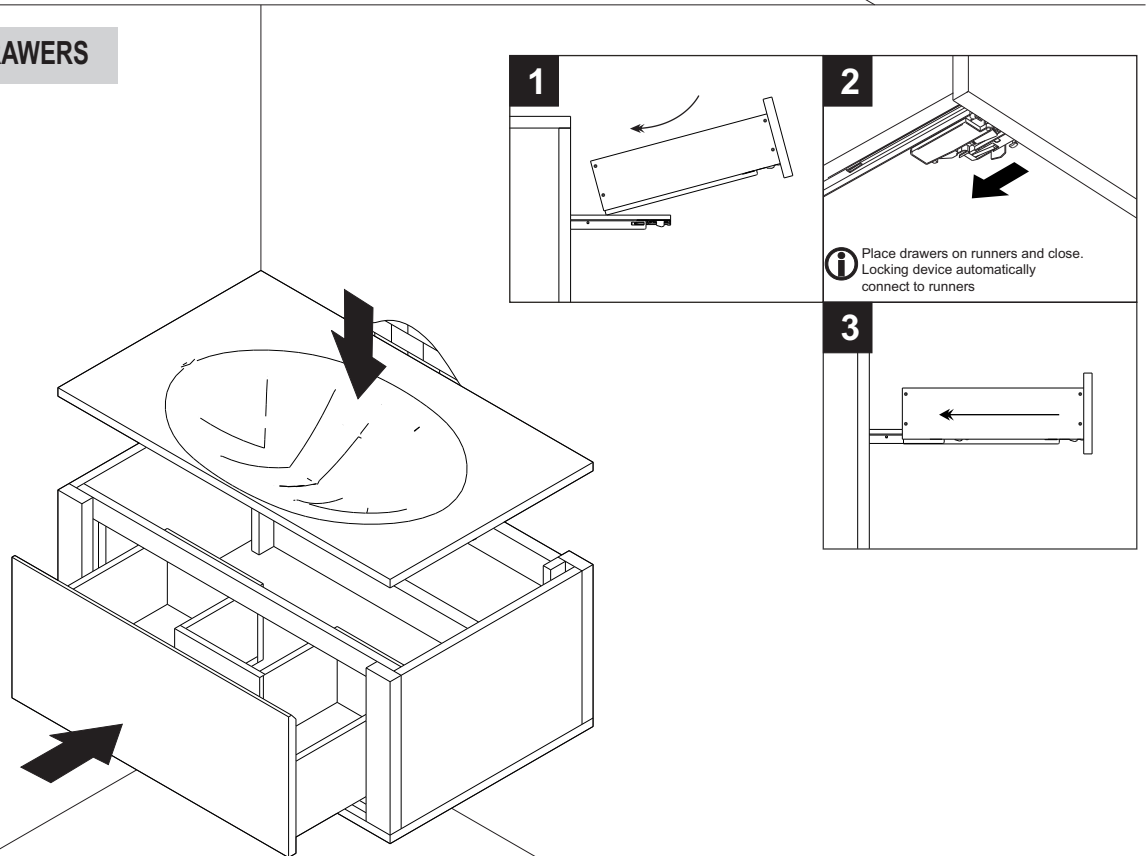
58111-58112 OAK QUALITIME BATHROOM CABINET - 1 DRAWER ASSEMBLY INSTRUCTION FOR HANGING CABINET INSTALLATION

F. GLUEING THE CABINET



! BASIN MIGHT BE SLIGHTLY DIFFERENT FROM ILLUSTRATION

G. INSTALLING BASIN & DRAWERS



! WAIT 24 HOURS TO LET IT DRY NATURALLY