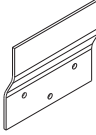
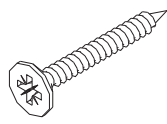
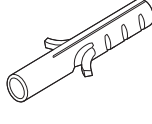
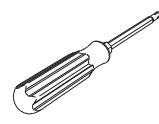
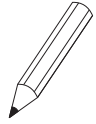
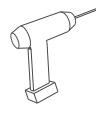


## OAK LAYERS BATHROOM CABINET - 4 DRAWERS ASSEMBLY INSTRUCTION FOR HANGING CABINET INSTALLATION

### HARDWARES

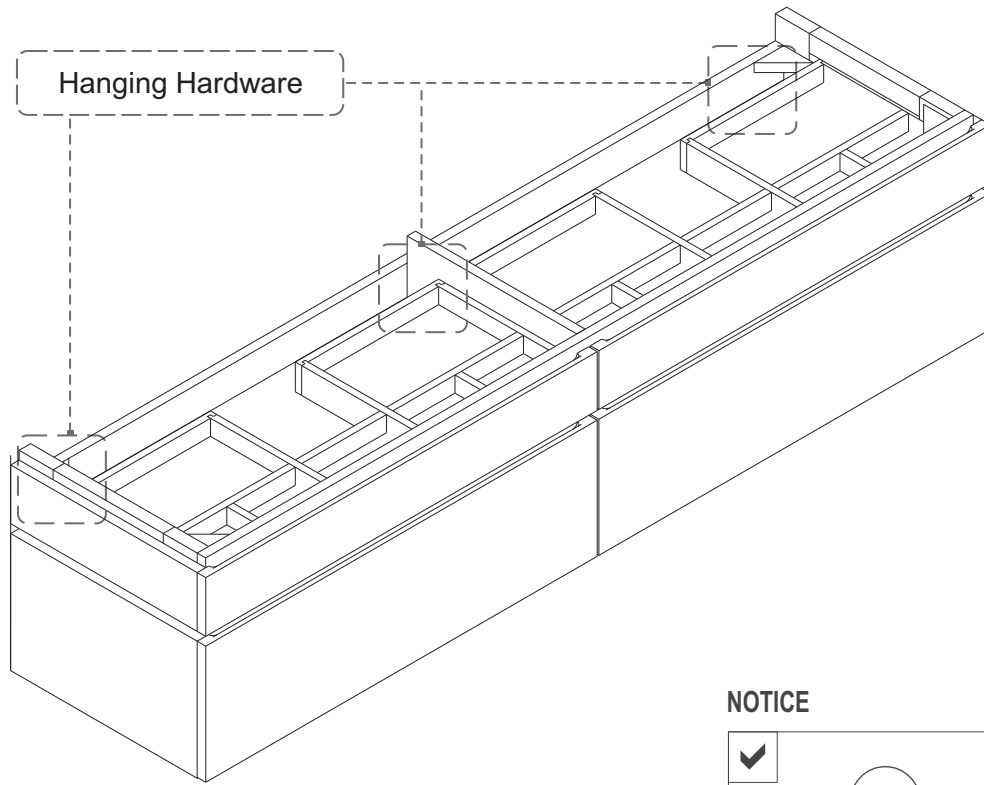
 <p><b>MOUNTING PLATE</b> 3 pcs</p>	 <p><b>WALL SCREW</b> 9 pcs (not included in package)</p>	 <p><b>WALL PLUG</b> 9 pcs (not included in package)</p>
--	--	---

### TOOLS

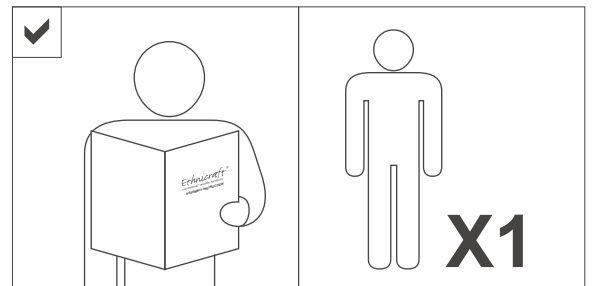
 <p><b>CROSS-HEAD SCREW DRIVER</b> (not included in package)</p>	 <p><b>PENCIL</b> (not included in package)</p>
 <p><b>DRILLING MACHINE</b> (not included in package)</p>	



**AS WALL MATERIALS VARY, SCREWS FOR FIXING TO WALL ARE NOT INCLUDED. FOR ADVICE ON SUITABLE SCREW SYSTEMS, CONTACT YOUR LOCAL SPECIALISED DEALER.**



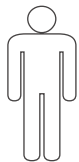
### NOTICE



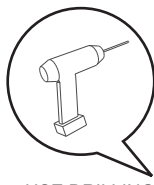
### SYMBOLS



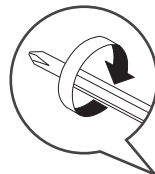
DIRECTION



NUMBER OF  
PERSON NEEDED



USE DRILLING  
MACHINE



USE SCREW DRIVER  
TO TIGHTEN



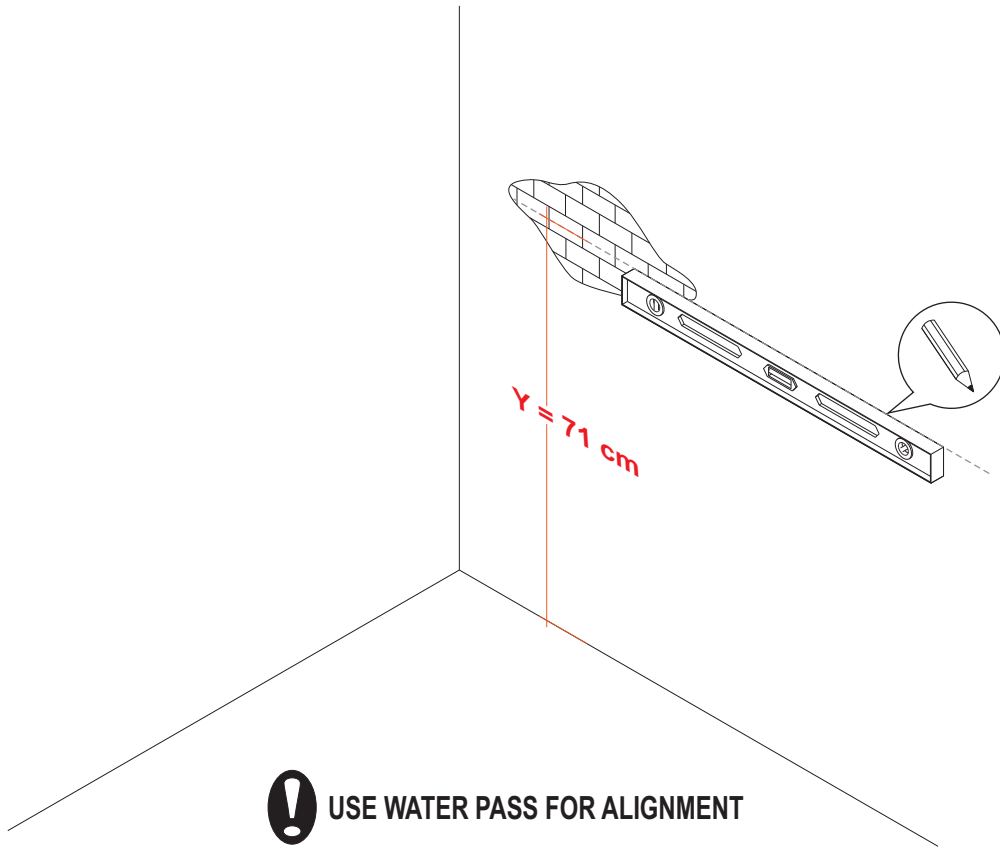
USE PENCIL



USE HAND

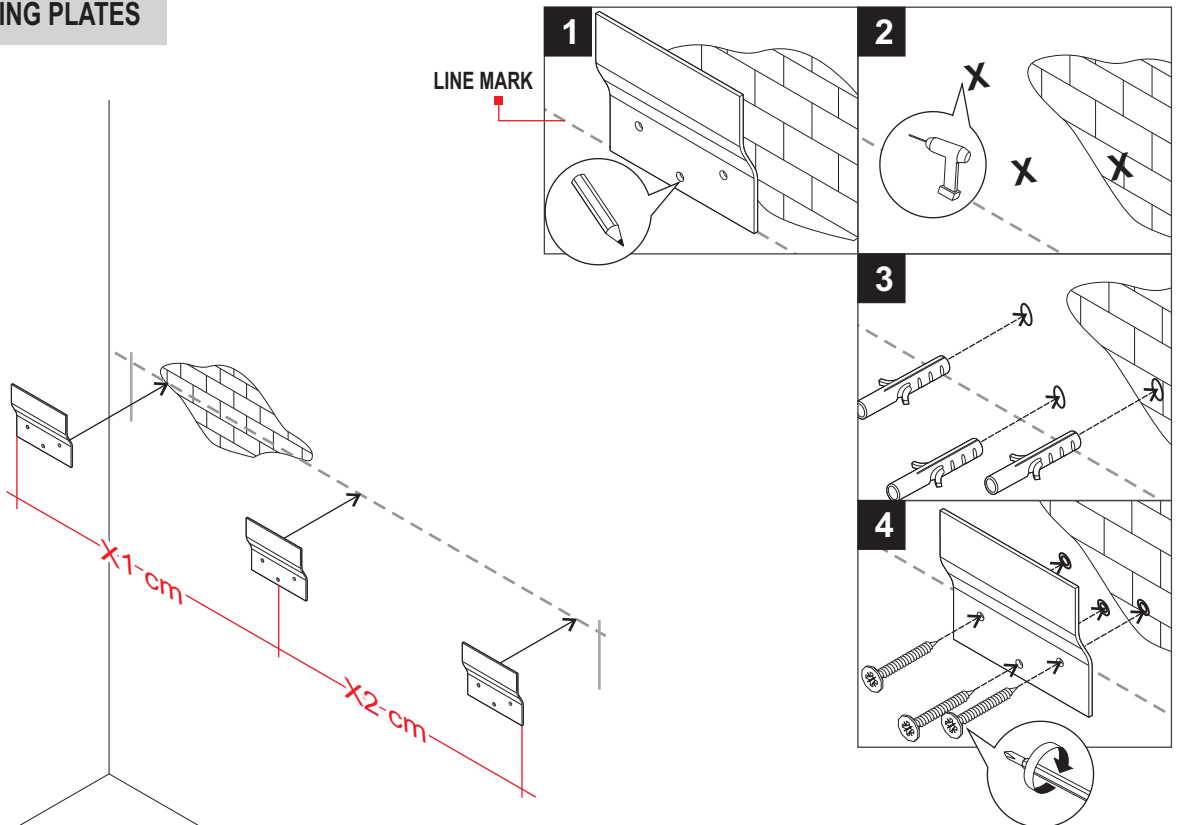
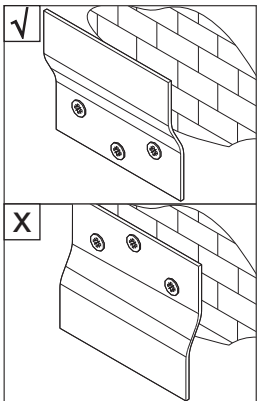
## OAK LAYERS BATHROOM CABINET - 4 DRAWERS ASSEMBLY INSTRUCTION FOR HANGING CABINET INSTALLATION

### A MAKE MARKS FOR DRILLING POINT



### B INSTALLING MOUNTING PLATES

NOTE :

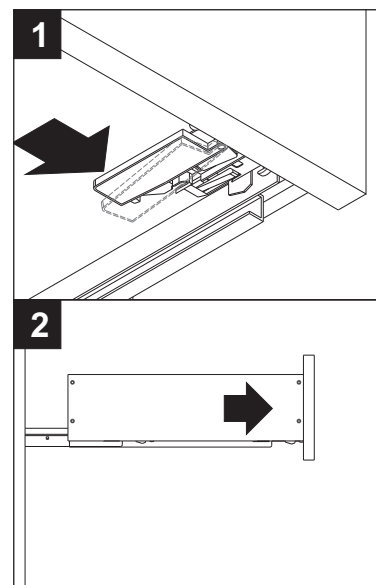
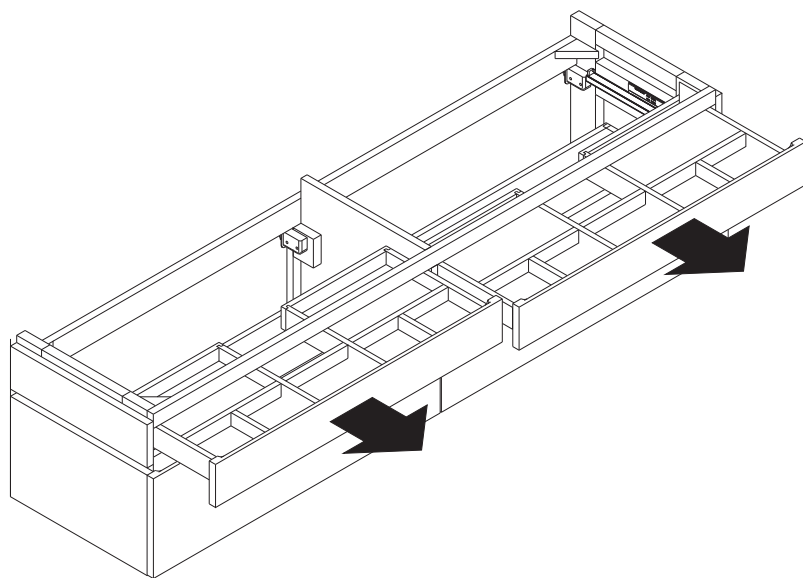


CODE	X1 (CM)	X2 (CM)
58011	81.3	94
58014	58.5	71.5

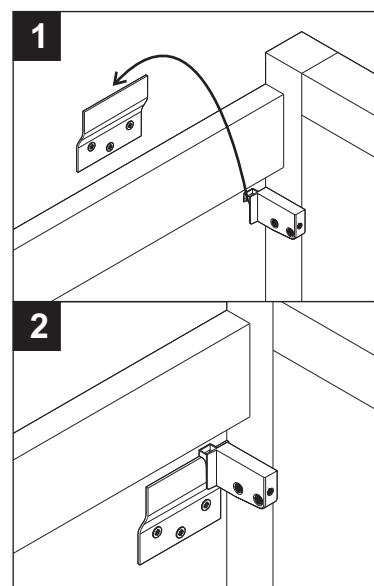
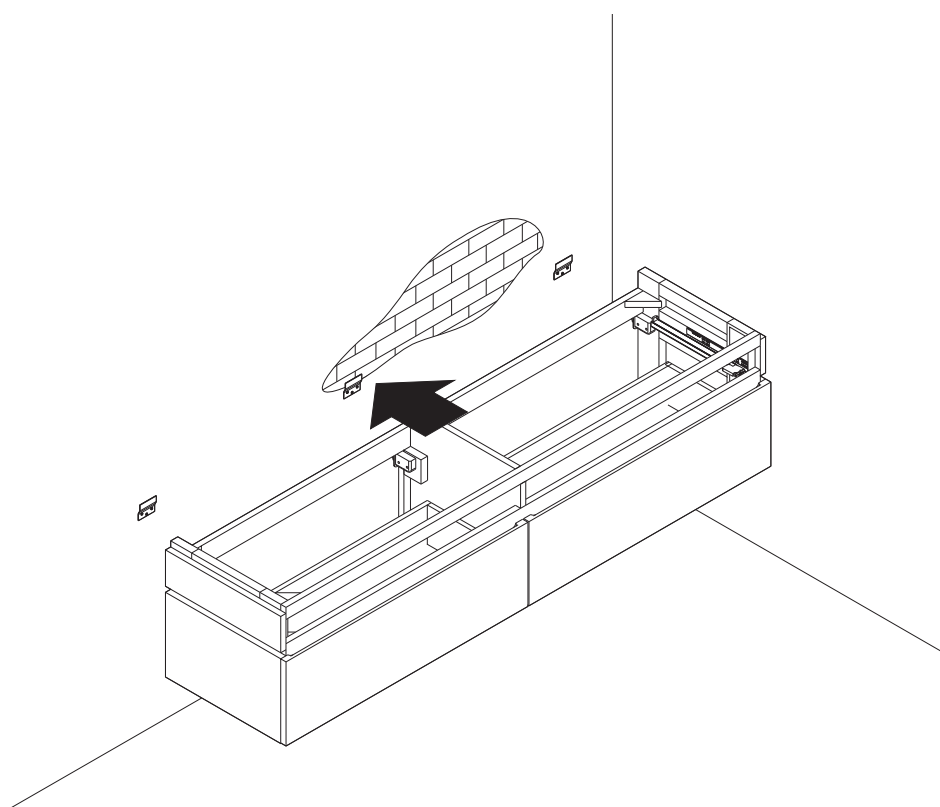
**ILLUSTRATION WITH BRICK WALL**

## OAK LAYERS BATHROOM CABINET - 4 DRAWERS ASSEMBLY INSTRUCTION FOR HANGING CABINET INSTALLATION

### C RELEASE THE DRAWERS

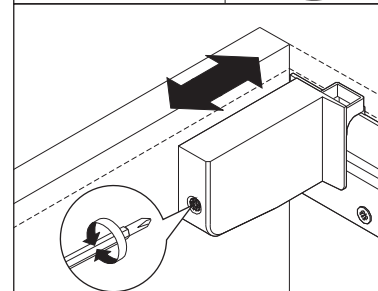
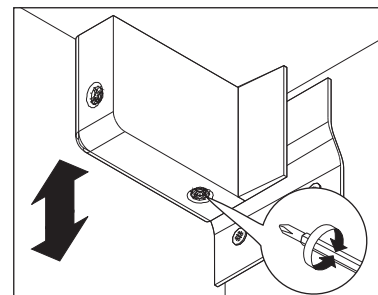
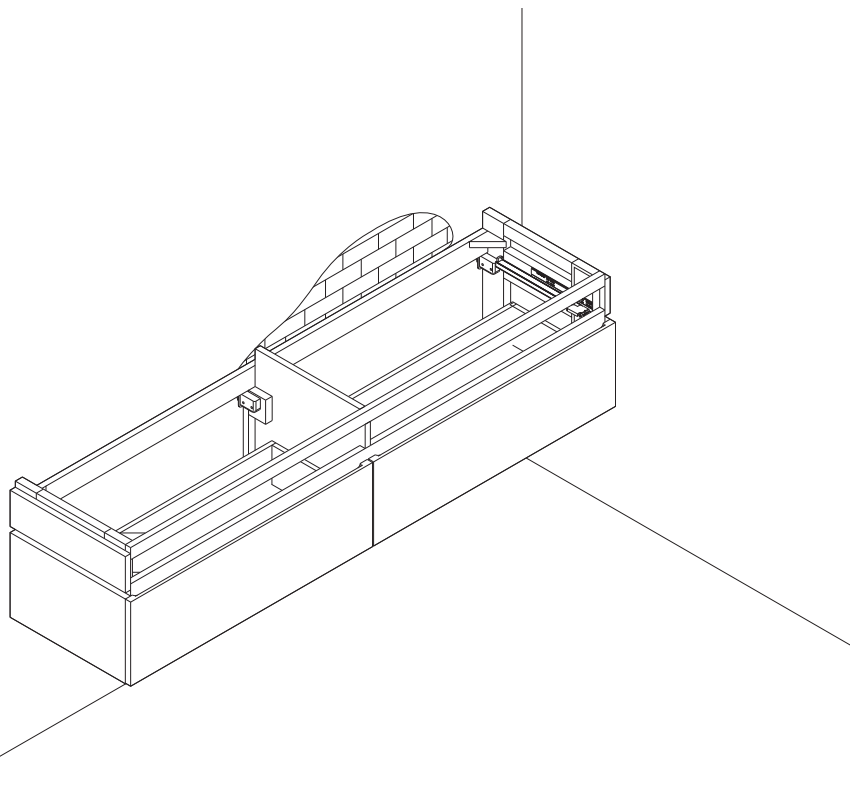


### D INSTALLING ITEM TO THE MOUNTING PLATE



## OAK LAYERS BATHROOM CABINET - 4 DRAWERS ASSEMBLY INSTRUCTION FOR HANGING CABINET INSTALLATION

### E ADJUSTING THE HANGING HARDWARE



⚠ ADJUST IF NECESSARY

### F INSTALLING THE DRAWERS

