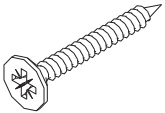
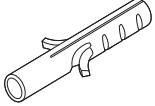

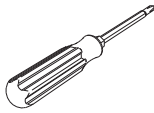

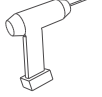


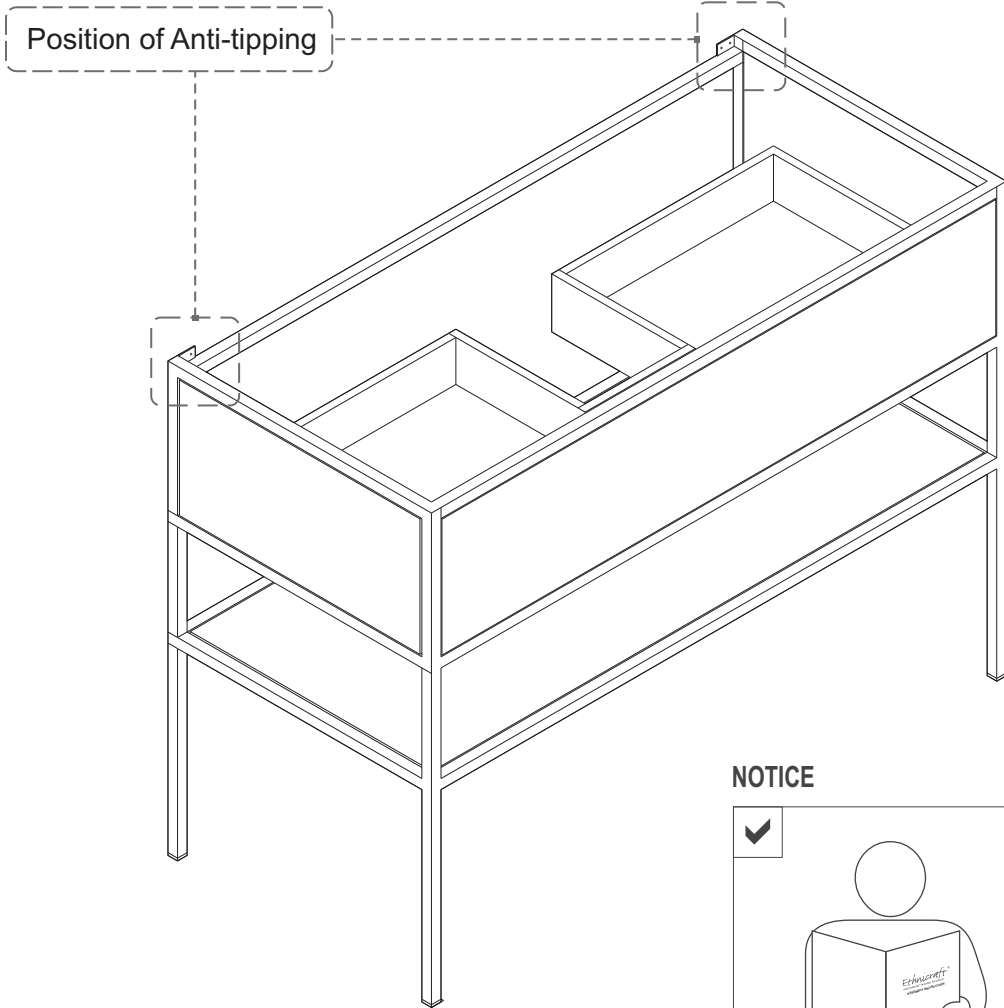
WHITE SENSE BATHROOM TABLE
ASSEMBLY INSTRUCTION FOR BATHROOM TABLE ANTI TIPPING INSTALLATION

HARDWARES

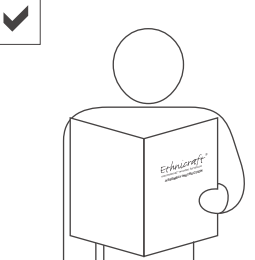
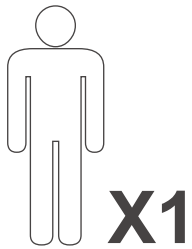
 WALL SCREW 4 pcs (not included in package)	 WALL PLUG 4 pcs (not included in package)	 WASHER 4 pcs (not included in package)
--	---	--

TOOLS

 CROSS-HEAD SCREW DRIVER (not included in package)	 PENCIL (not included in package)	 DRILLING MACHINE (not included in package)
---	---	---



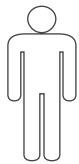
NOTICE

	
--	---

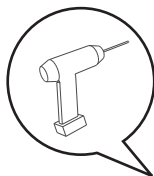
SYMBOLS



DIRECTION



NUMBER OF PERSON NEEDED



USE DRILLING MACHINE



USE SCREW DRIVER TO TIGHTEN



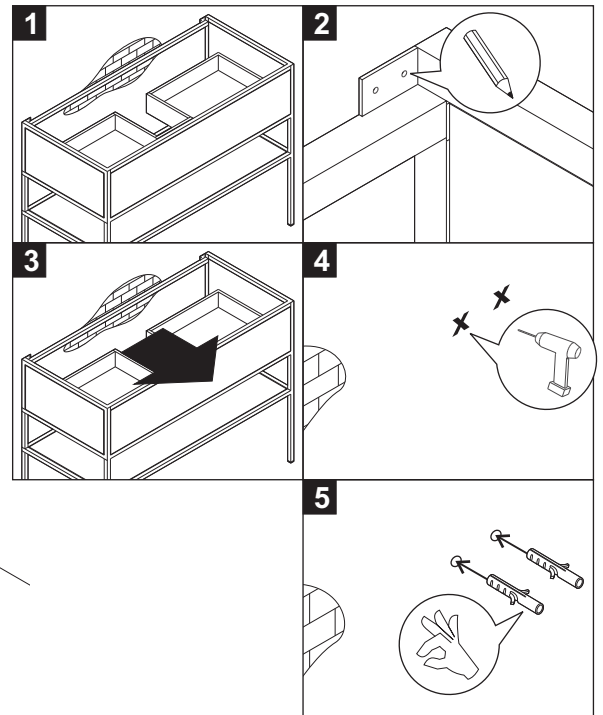
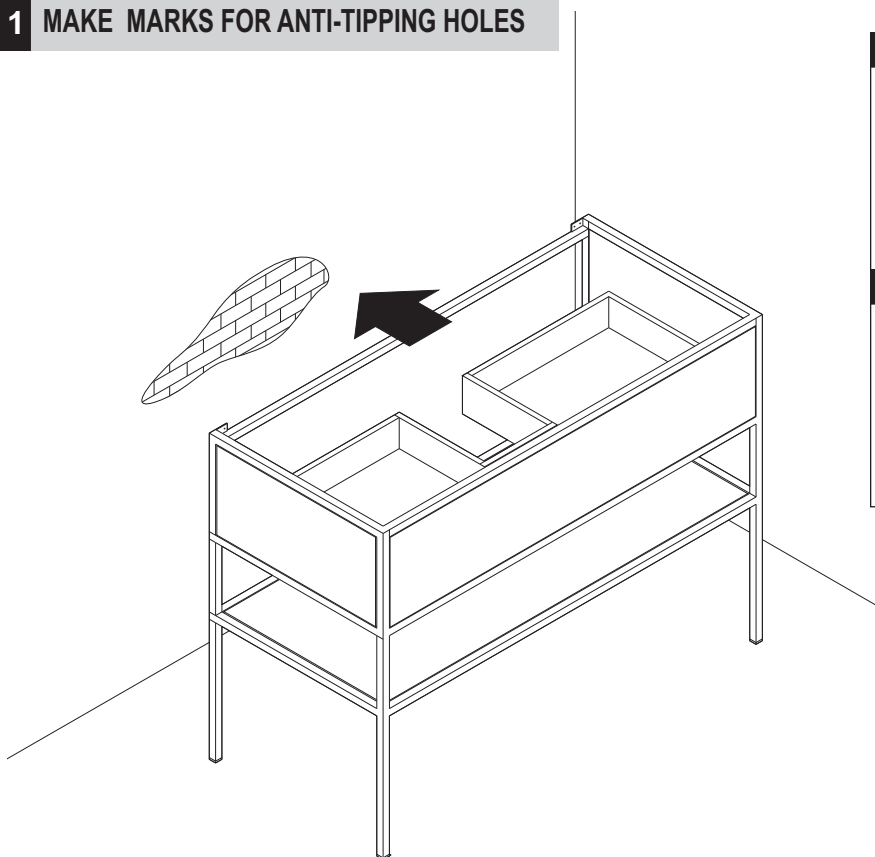
USE PENCIL



USE HAND

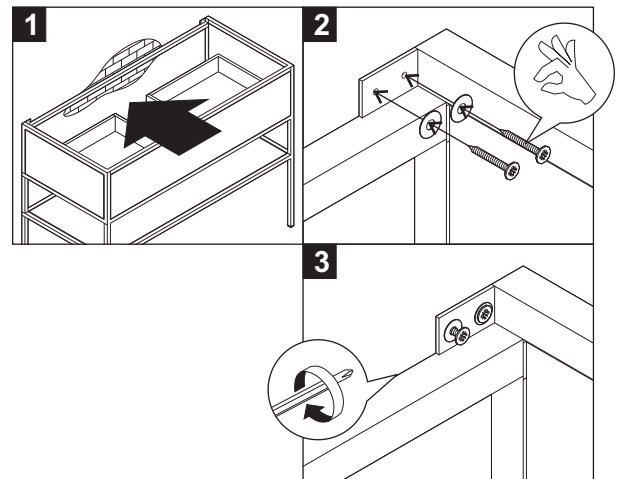
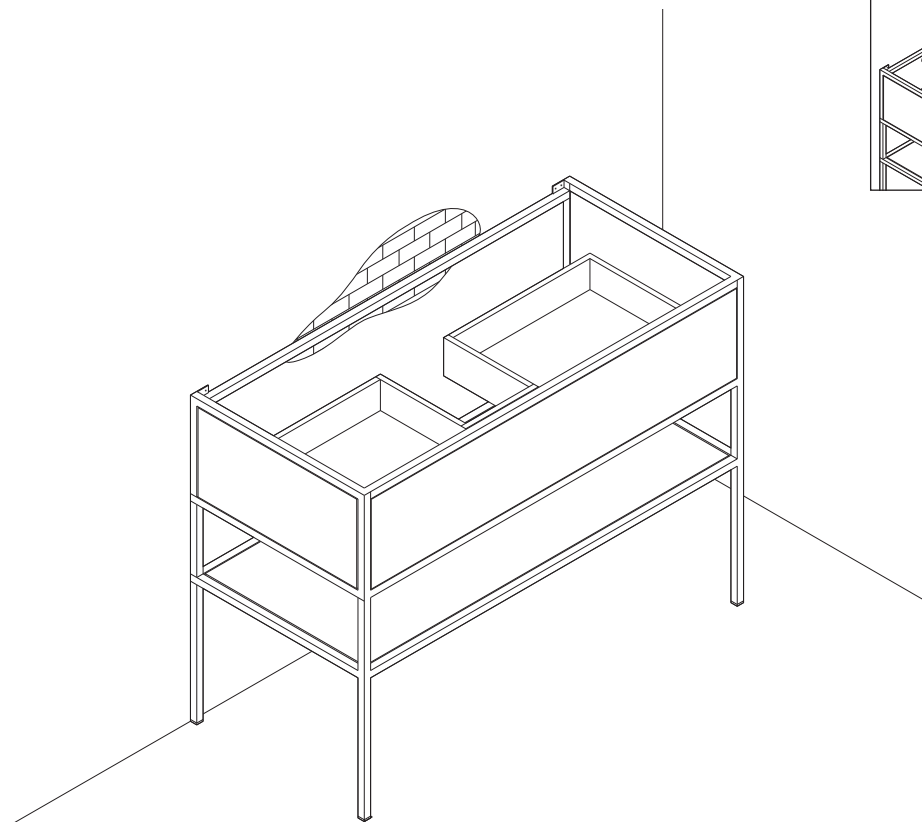
WHITE SENSE BATHROOM TABLE
ASSEMBLY INSTRUCTION FOR BATHROOM TABLE ANTI TIPPING INSTALLATION

1 MAKE MARKS FOR ANTI-TIPPING HOLES



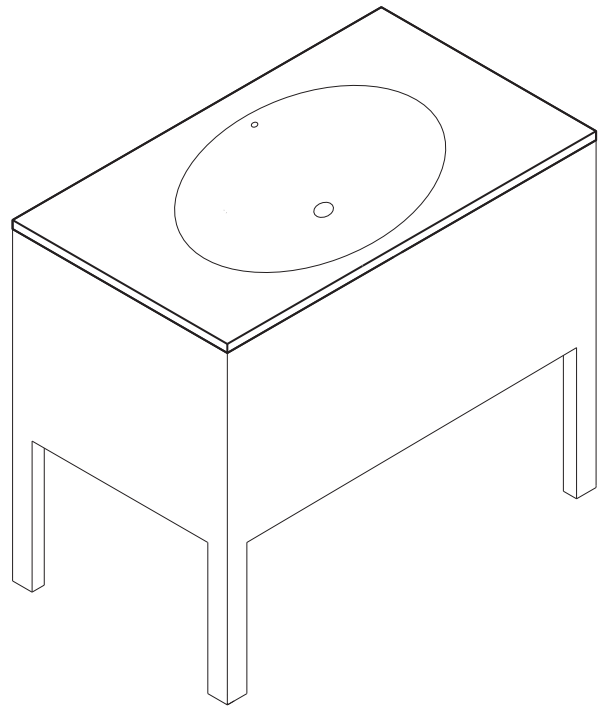
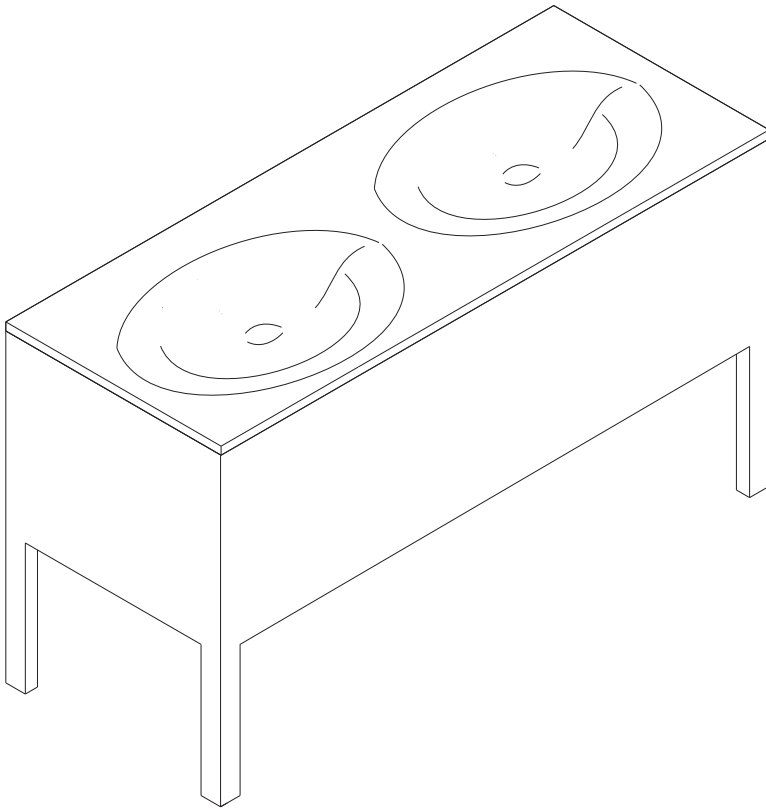
! ILLUSTRATION WITH BRICK WALL

2 INSTALLING THE TABLE



SOLID SURFACE BATHROOM SINK ASSEMBLY INSTRUCTION FOR SINK INSTALLATION

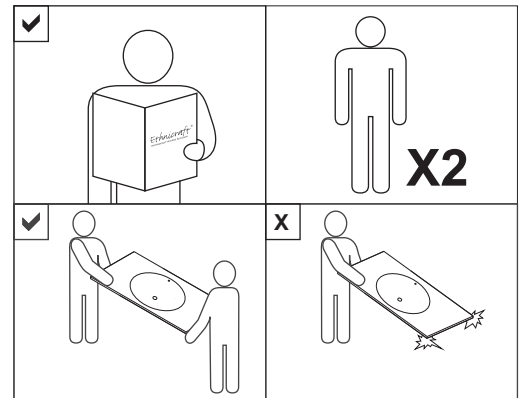
TOOL



NOTICE



**READ INSTRUCTIONS COMPLETELY BEFORE INSTALLATION.
SEEK THE ADVICE OF A PROFESSIONAL IF YOU ARE NOT
FAMILIAR WITH THESE INSTALLATION**



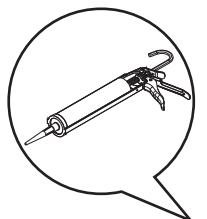
SYMBOLS



DIRECTION



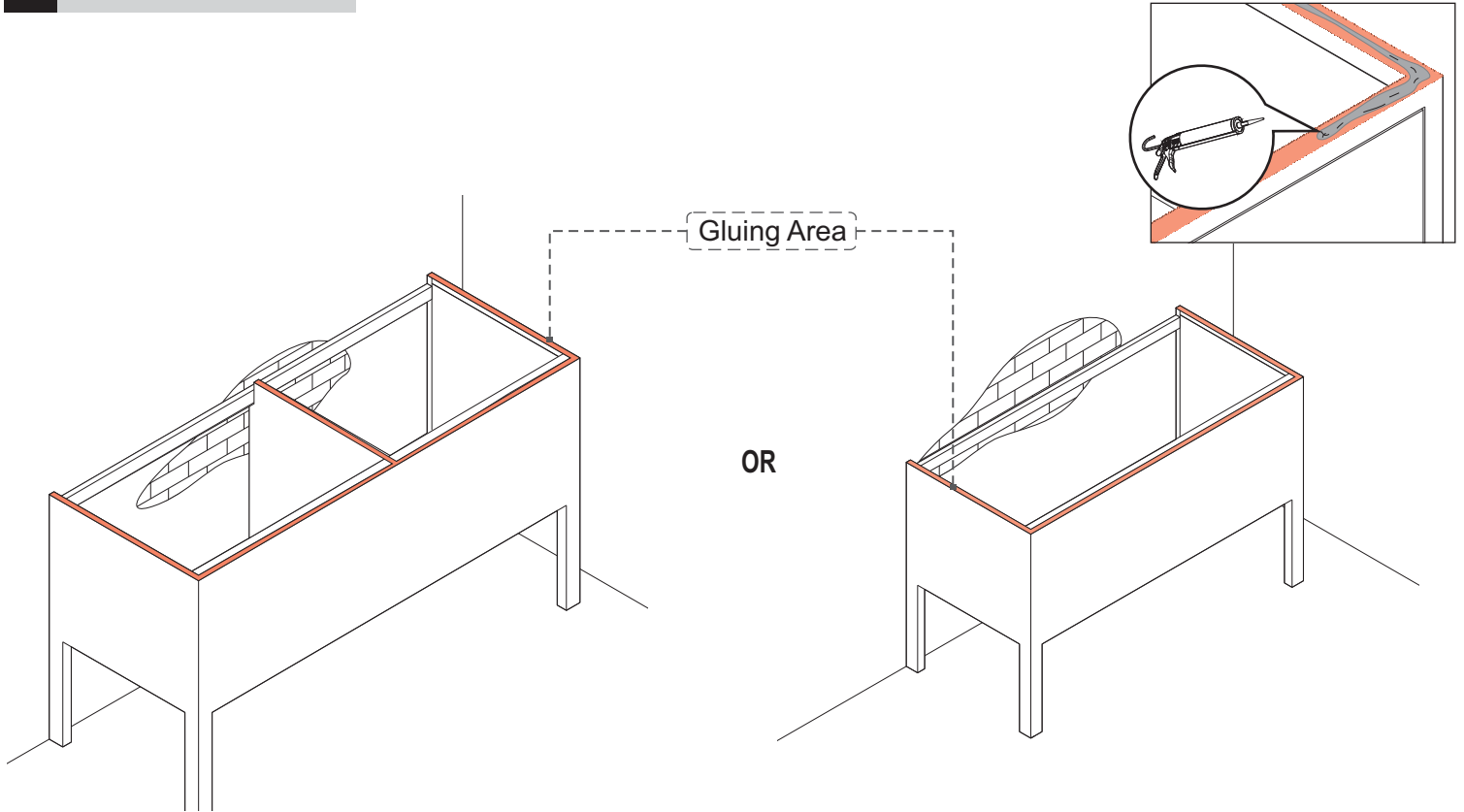
NUMBER OF
PERSON NEEDED



USE SILICONE GLUE

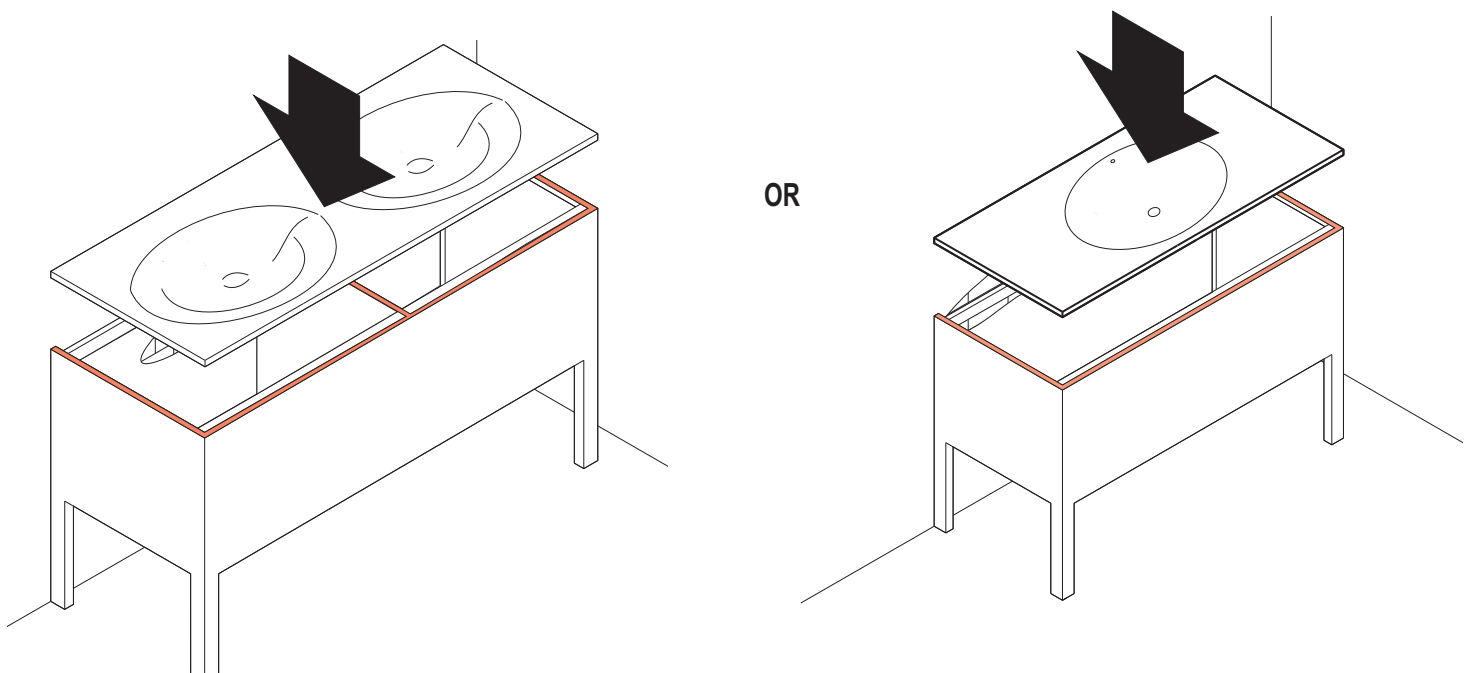
SOLID SURFACE BATHROOM WASH SINK ASSEMBLY INSTRUCTION FOR WASH SINK INSTALLATION

A. GLUING THE CABINET



! CABINET MIGHT BE SLIGHTLY DIFFERENT FROM ILLUSTRATION

B. INSTALLING SINK



! WAIT 24 HOURS TO LET IT DRY NATURALLY