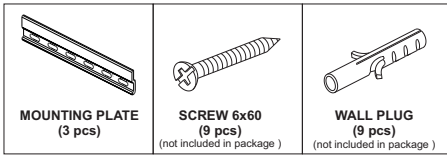
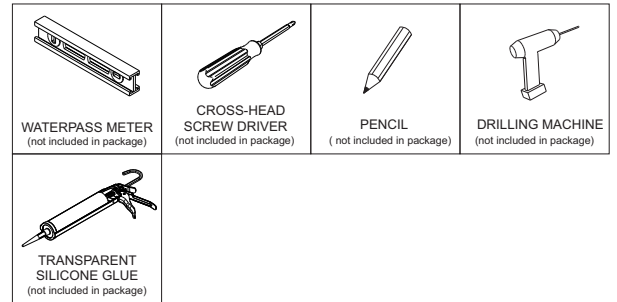


## 58113-58114 OAK QUALITIME BATHROOM CABINET - 2 DRAWERS ASSEMBLY INSTRUCTION FOR HANGING CABINET INSTALLATION

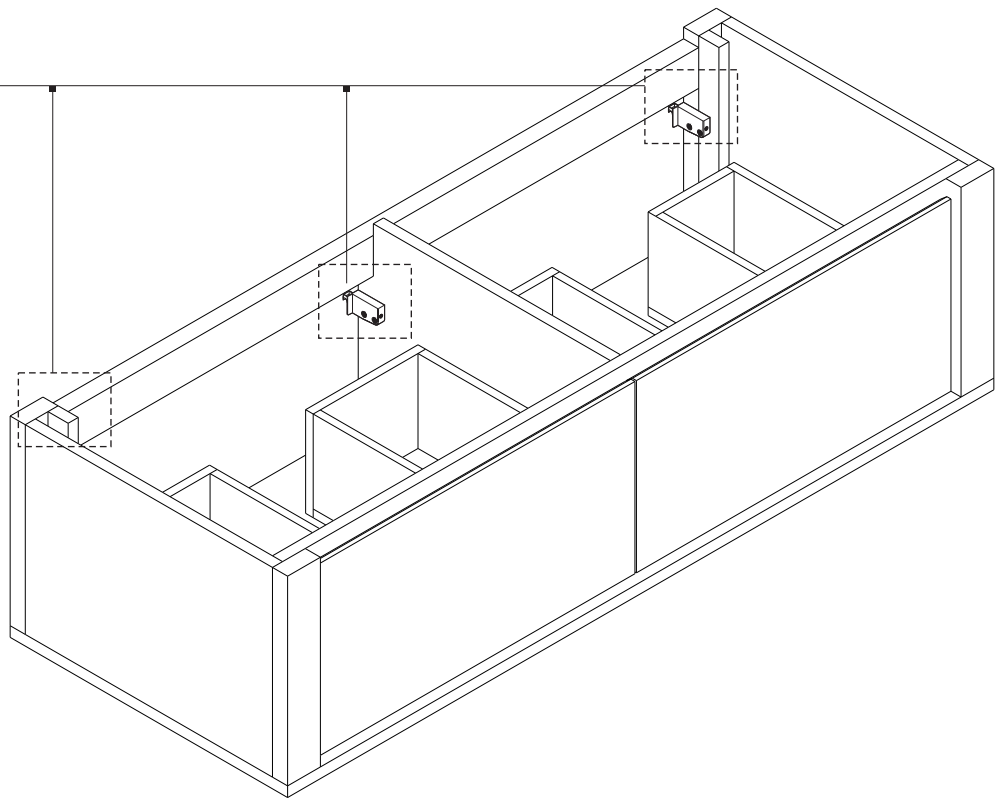
### HARDWARES



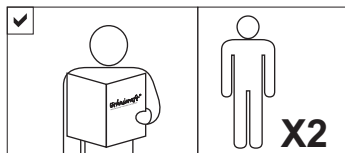
### TOOLS



### HANGING HARDWARES



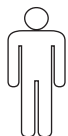
### NOTICE



### SYMBOLS



DIRECTION



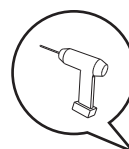
NUMBER OF PERSON NEEDED



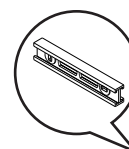
USE PENCIL TO MARK



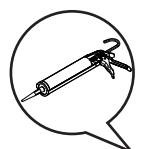
USE SCREW DRIVER TO TIGHTEN



USE DRILLING MACHINE



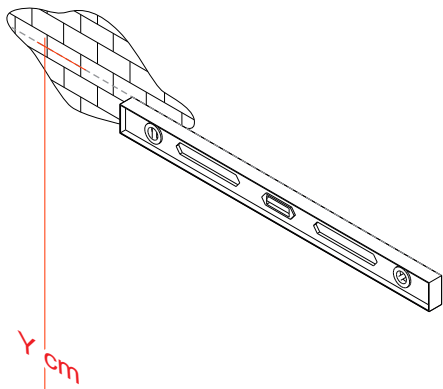
USE WATER PASS METER



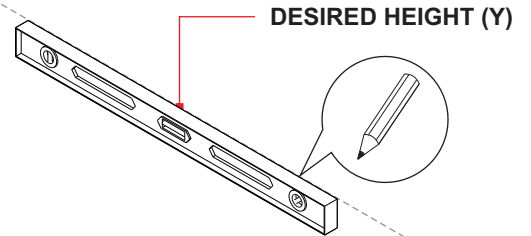
USE SILICONE GLUE

## 58113-58114 OAK QUALITIME BATHROOM CABINET - 2 DRAWERS ASSEMBLY INSTRUCTION FOR HANGING CABINET INSTALLATION

### A. SETTING DESIRED HEIGHT



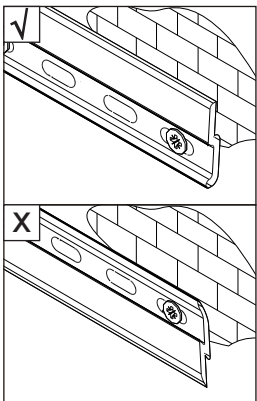
### B. MAKING MARKS FOR DRILLING POINTS



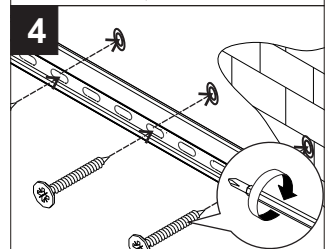
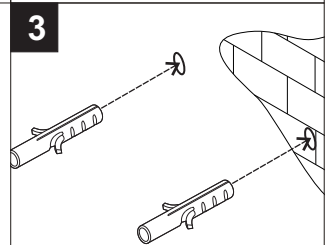
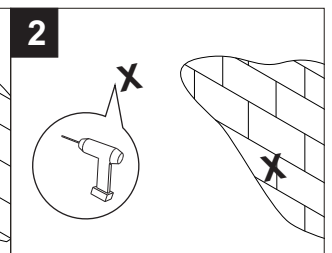
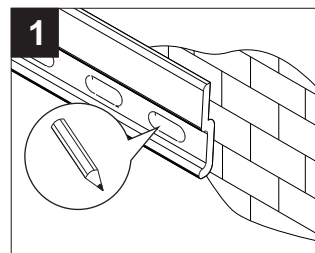
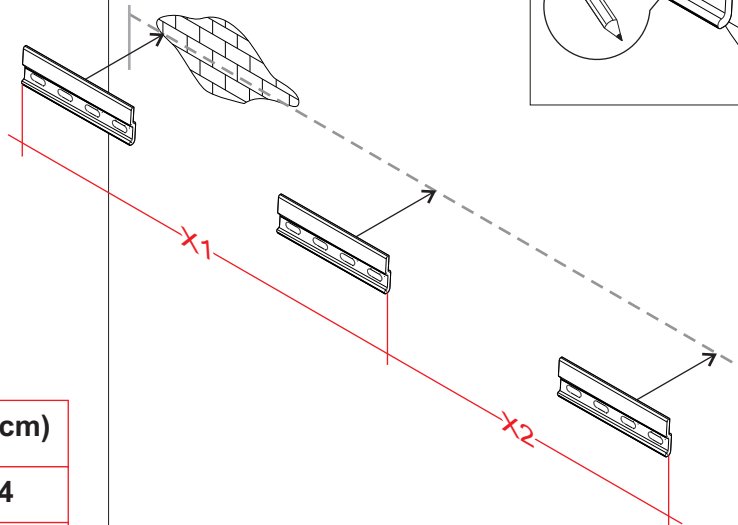
**USE WATERPASS FOR ALIGNMENT**  
**Y = DESIRED HEIGHT OF THE ITEM**

### C. INSTALLING MOUNTING PLATES

**NOTE :**

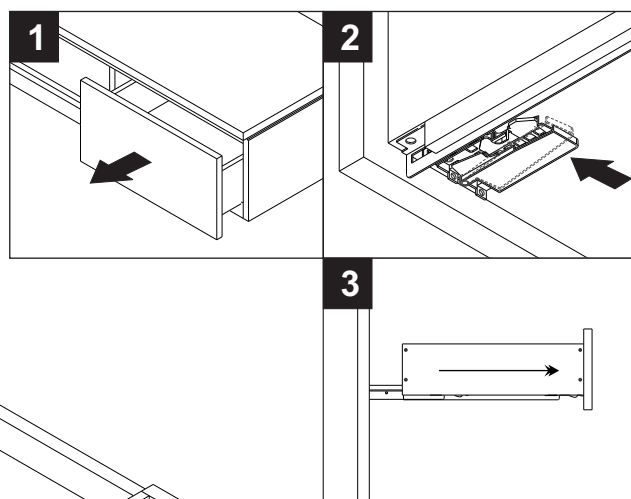
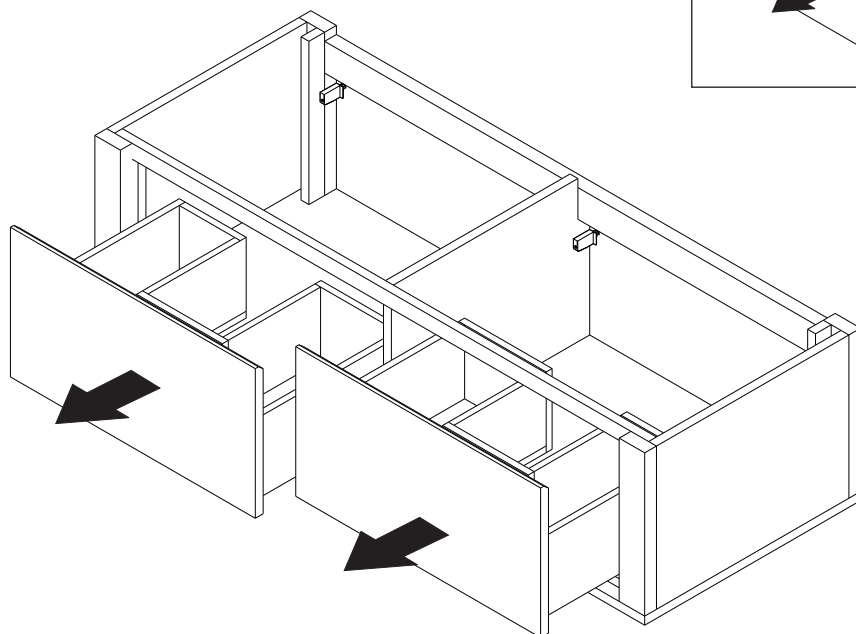


Code	X1 (cm)	X2 (cm)
58113	62	64
58114	84.5	86.5

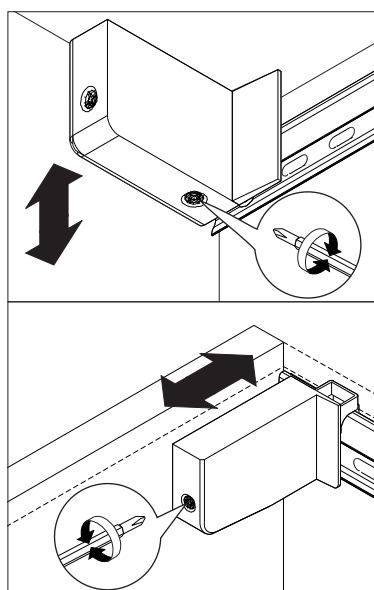


58113-58114 OAK QUALITIME BATHROOM CABINET - 2 DRAWERS  
ASSEMBLY INSTRUCTION FOR HANGING CABINET INSTALLATION

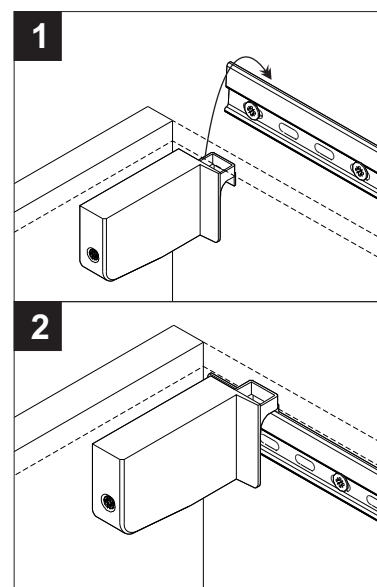
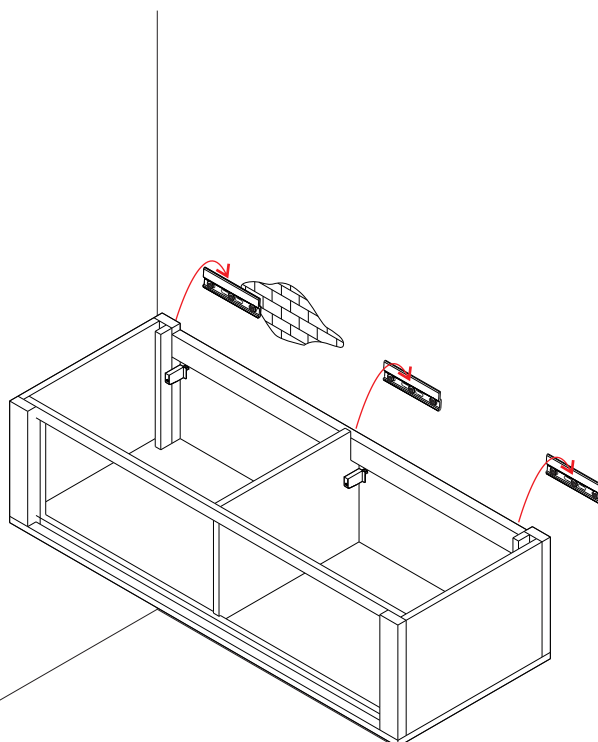
**D. REMOVING THE DRAWERS**



**E. INSTALLING ITEM TO THE MOUNTING PLATES**

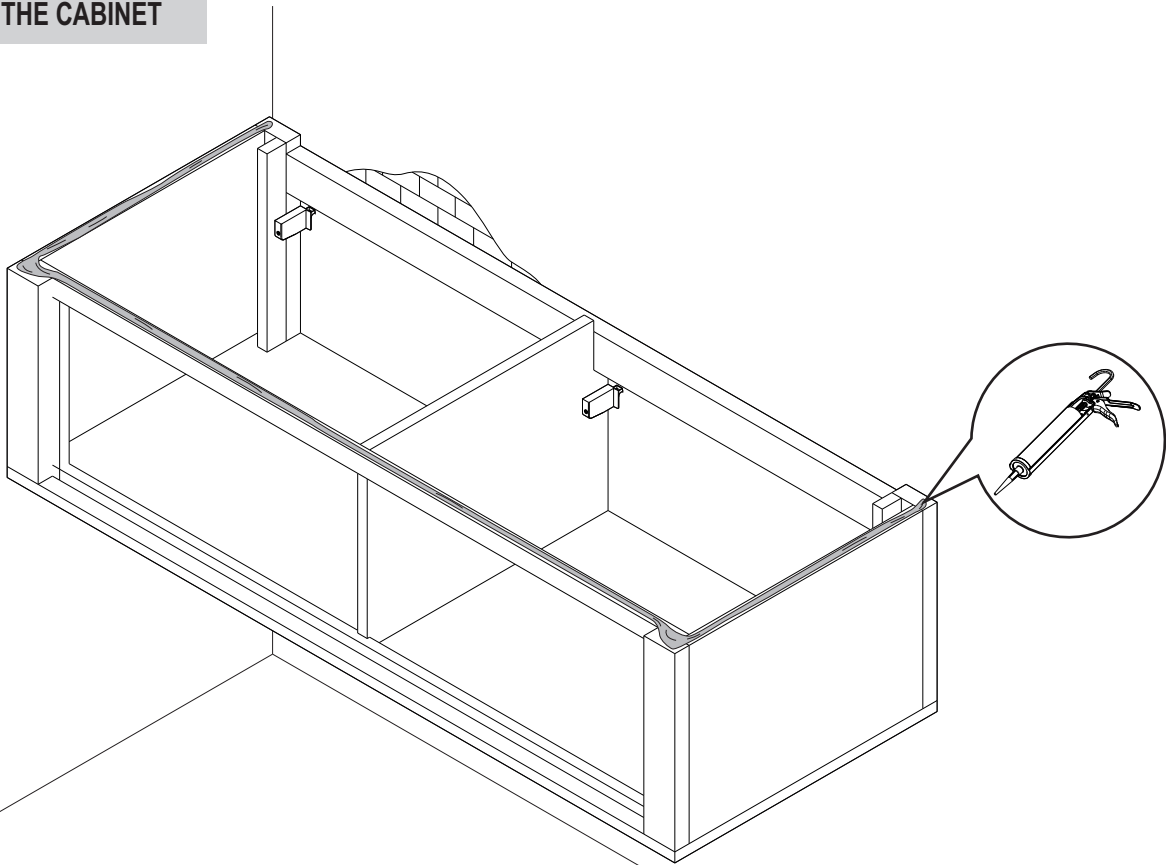


⚠ ADJUST IF NECESSARY



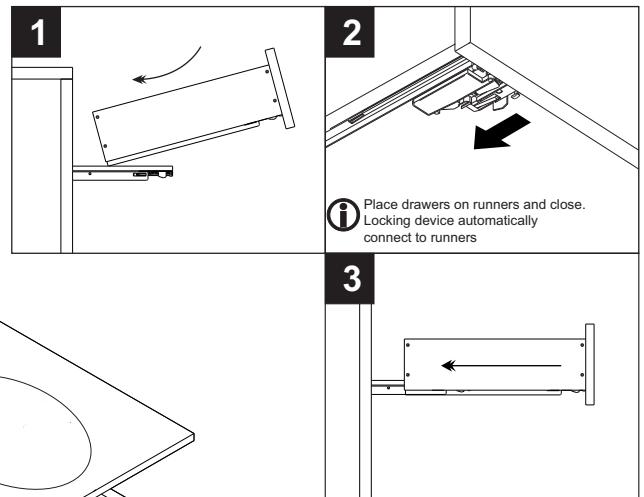
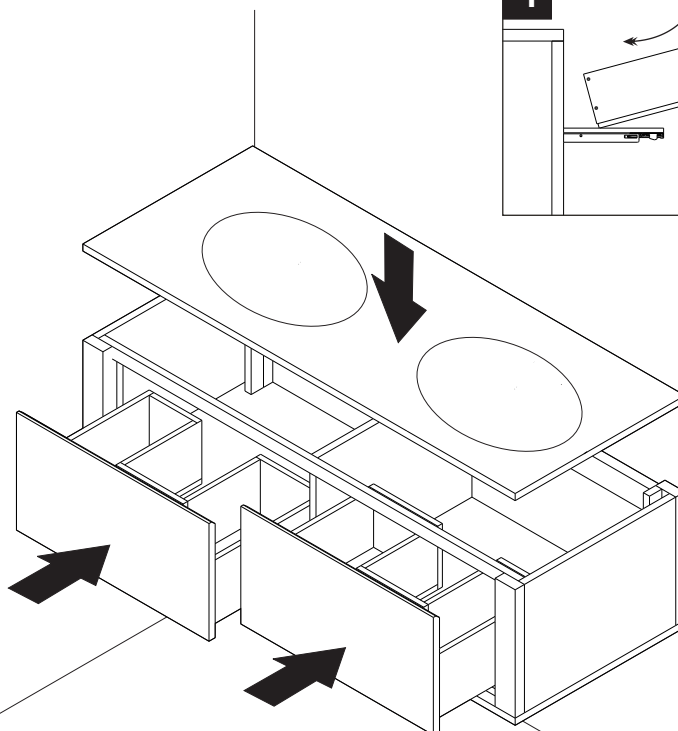
## 58113-58114 OAK QUALITIME BATHROOM CABINET - 2 DRAWERS ASSEMBLY INSTRUCTION FOR HANGING CABINET INSTALLATION

### F. GLUEING THE CABINET



**!** BASIN MIGHT BE SLIGHTLY DIFFERENT FROM ILLUSTRATION

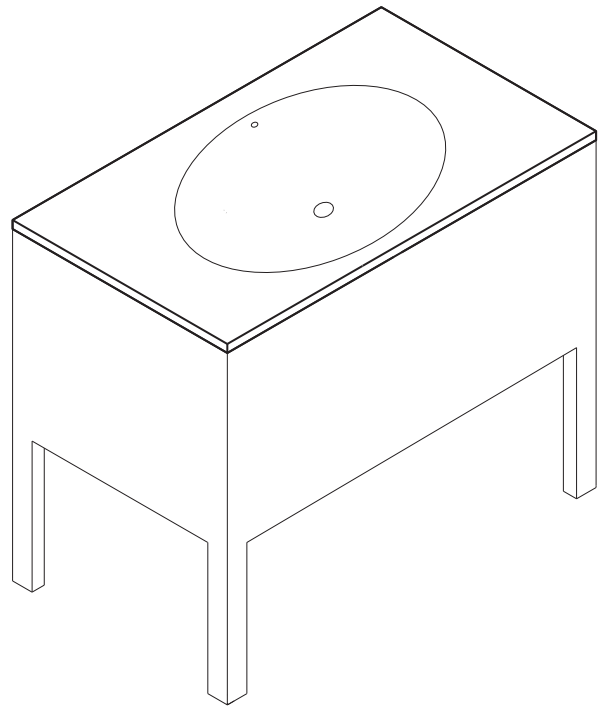
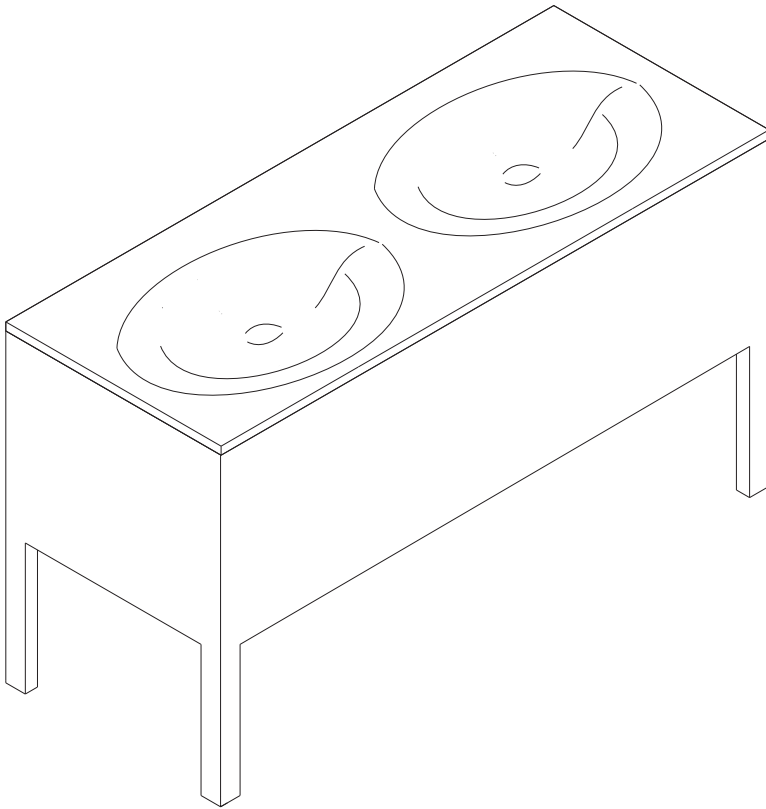
### G. INSTALLING BASIN & DRAWERS



**!** WAIT 24 HOURS TO LET IT DRY NATURALLY

## SOLID SURFACE BATHROOM SINK ASSEMBLY INSTRUCTION FOR SINK INSTALLATION

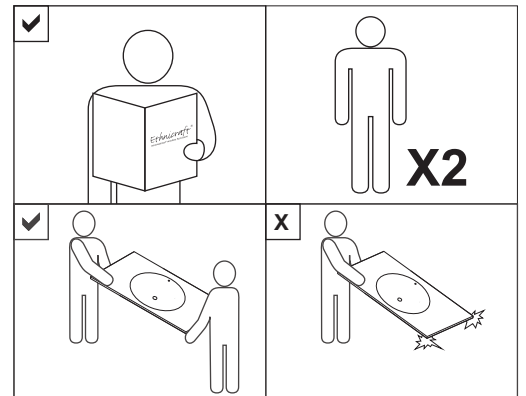
### TOOL



### NOTICE



**READ INSTRUCTIONS COMPLETELY BEFORE INSTALLATION.  
SEEK THE ADVICE OF A PROFESSIONAL IF YOU ARE NOT  
FAMILIAR WITH THESE INSTALLATION**



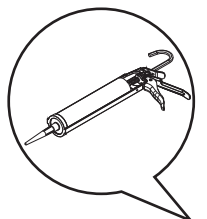
### SYMBOLS



DIRECTION



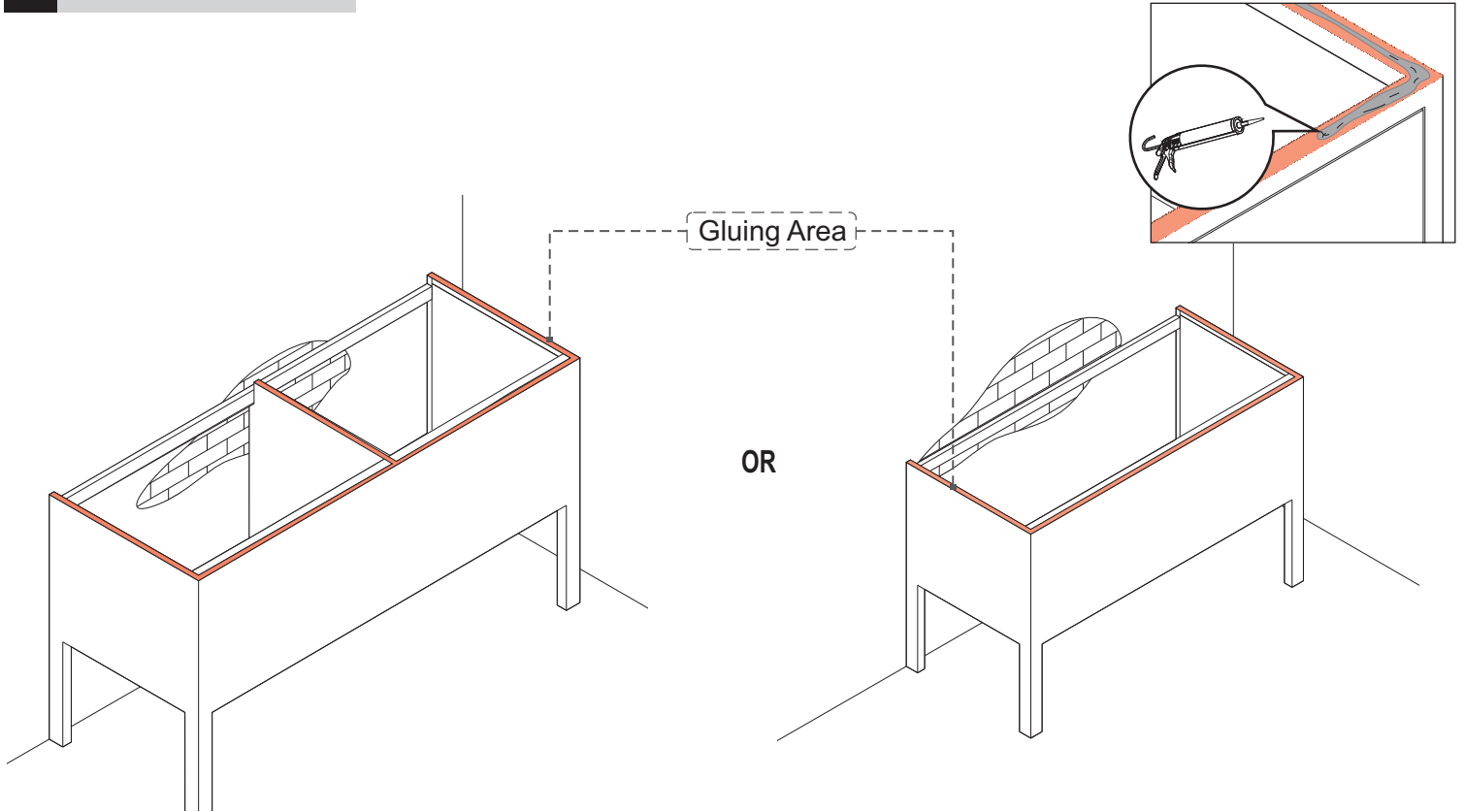
NUMBER OF  
PERSON NEEDED



USE SILICONE GLUE

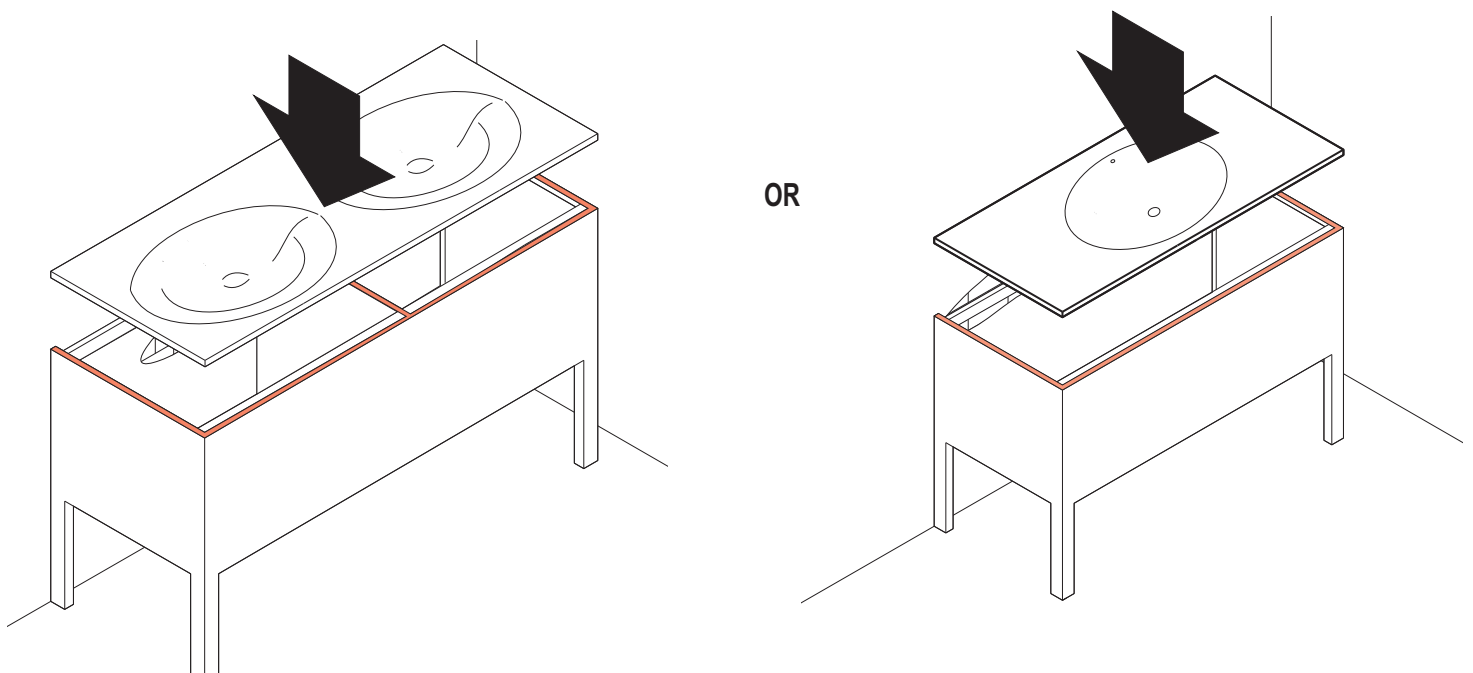
## SOLID SURFACE BATHROOM WASH SINK ASSEMBLY INSTRUCTION FOR WASH SINK INSTALLATION

### A. GLUING THE CABINET

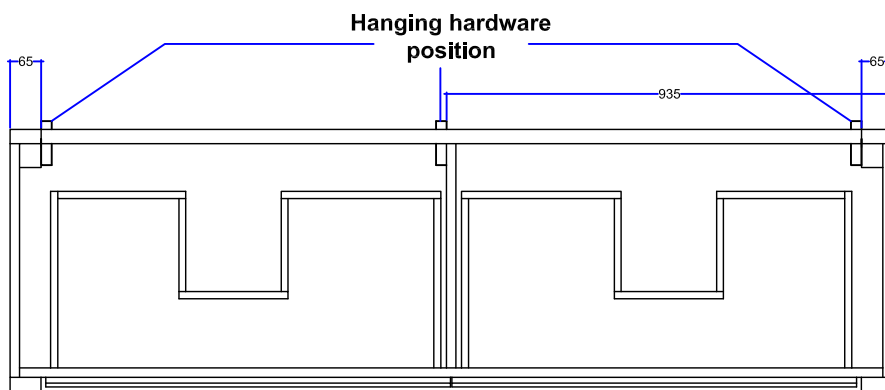
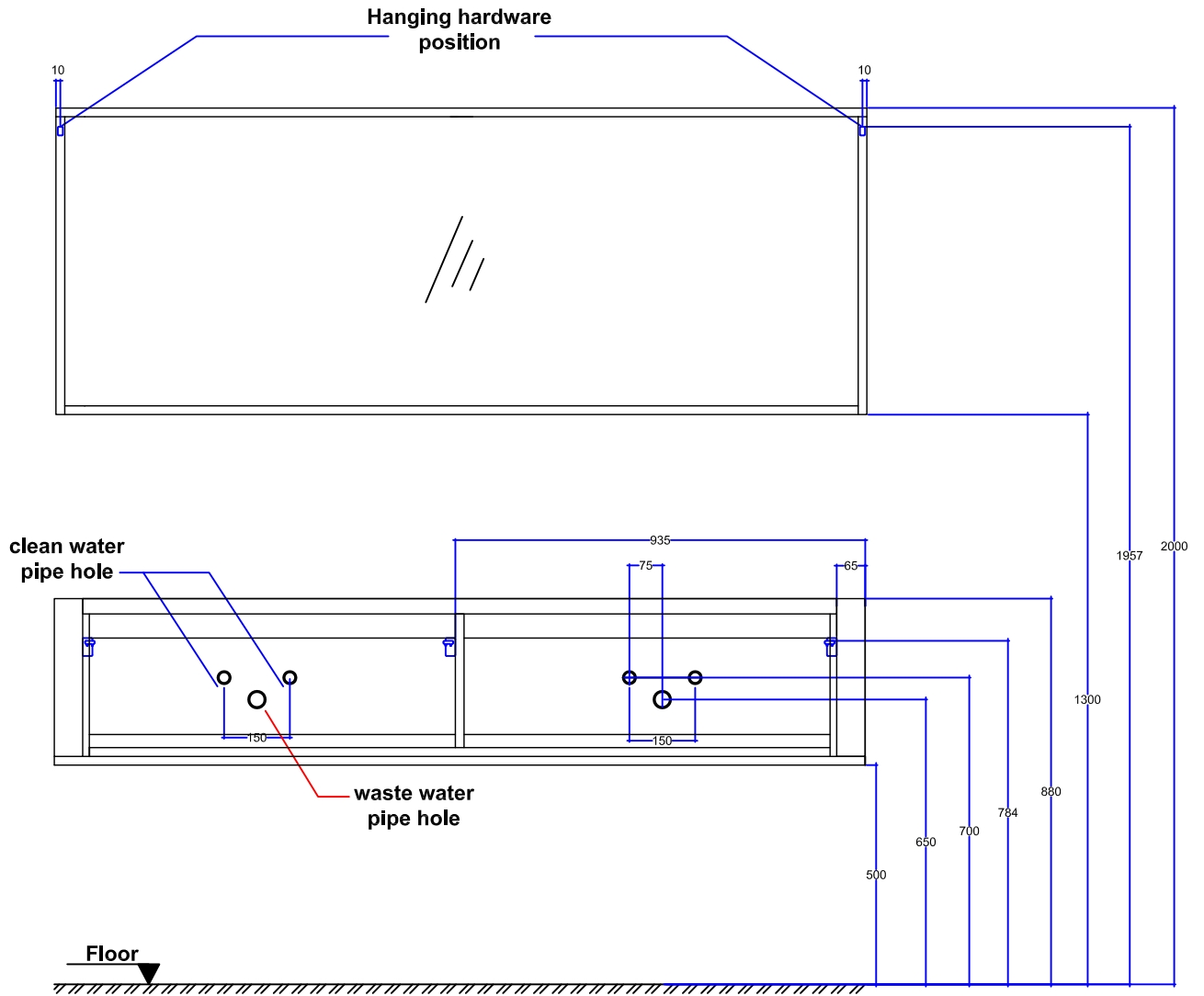


**!** CABINET MIGHT BE SLIGHTLY DIFFERENT FROM ILLUSTRATION

### B. INSTALLING SINK



**!** WAIT 24 HOURS TO LET IT DRY NATURALLY



Bathroom Cabinet  
Top Section

NOTE :  
These suspension heights are only a recommendation, not an obligation.  
The suspension heights depend on the preferences of the customer.

Remark :  
- Material : oak solid