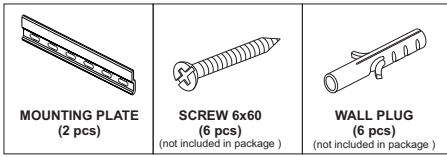
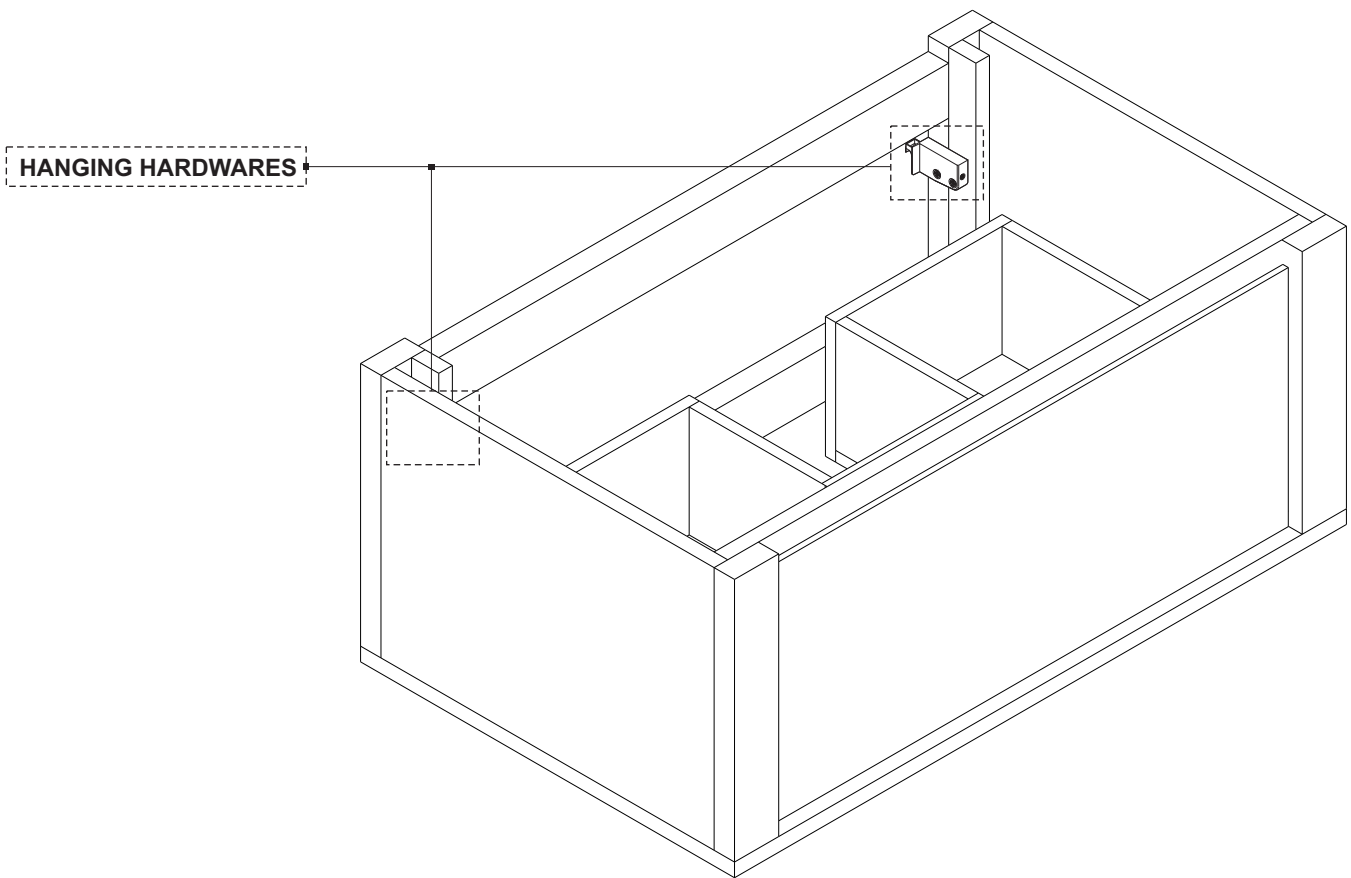
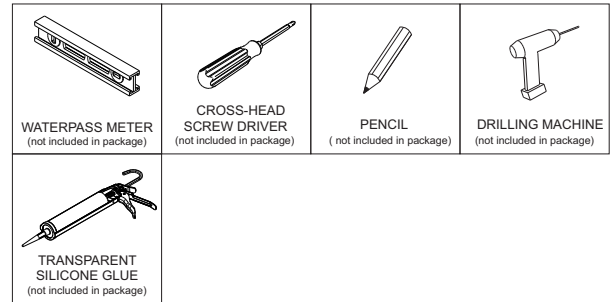


## 58111-58112 OAK QUALITIME BATHROOM CABINET - 1 DRAWER ASSEMBLY INSTRUCTION FOR HANGING CABINET INSTALLATION

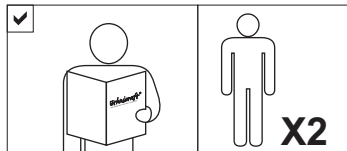
### HARDWARES



### TOOLS



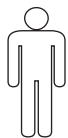
### NOTICE



### SYMBOLS



DIRECTION



NUMBER OF PERSON NEEDED



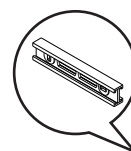
USE PENCIL TO MARK



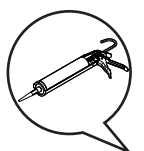
USE SCREW DRIVER TO TIGHTEN



USE DRILLING MACHINE



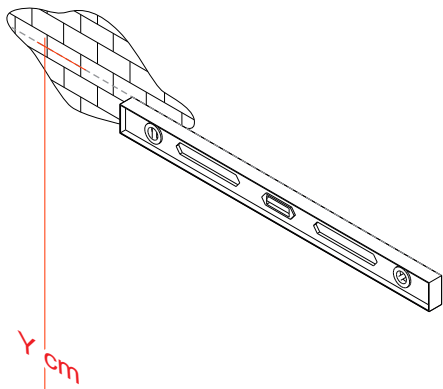
USE WATER PASS METER



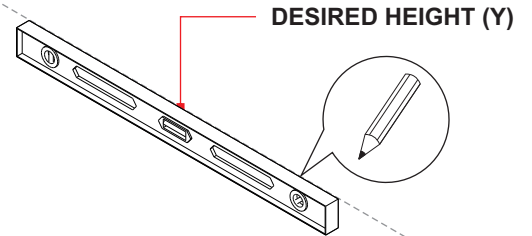
USE SILICONE GLUE

## 58111-58112 OAK QUALITIME BATHROOM CABINET - 1 DRAWER ASSEMBLY INSTRUCTION FOR HANGING CABINET INSTALLATION

### A. SETTING DESIRED HEIGHT



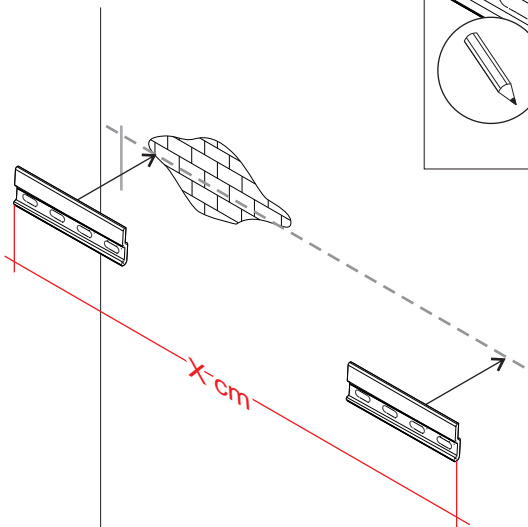
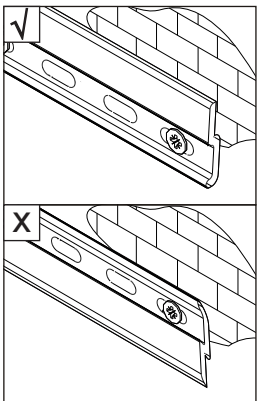
### B. MAKING MARKS FOR DRILLING POINTS



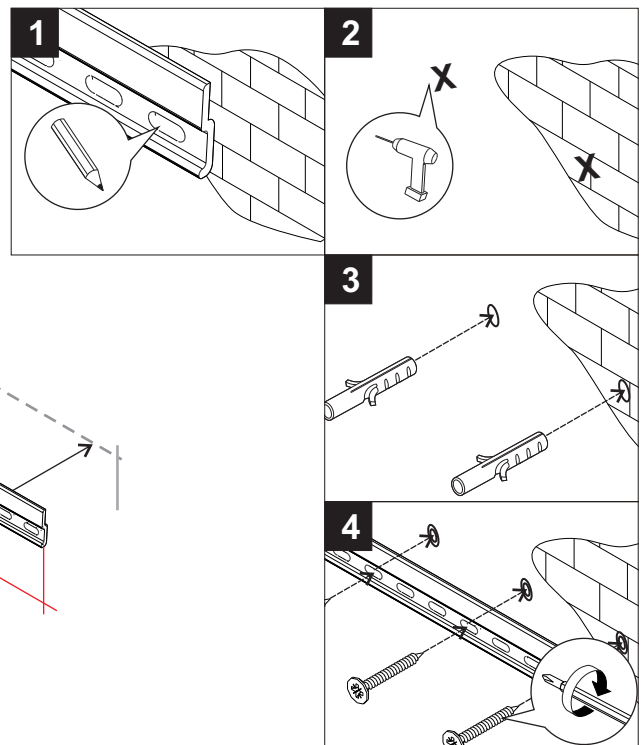
**!** USE WATERPASS FOR ALIGNMENT  
Y = DESIRED HEIGHT OF THE ITEM

### C. INSTALLING MOUNTING PLATES

NOTE :

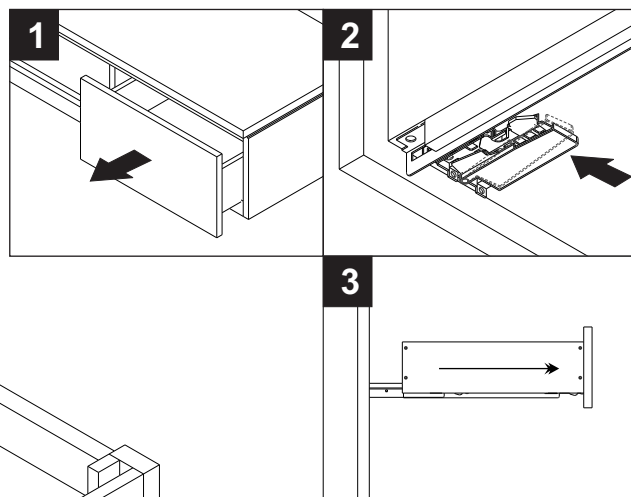
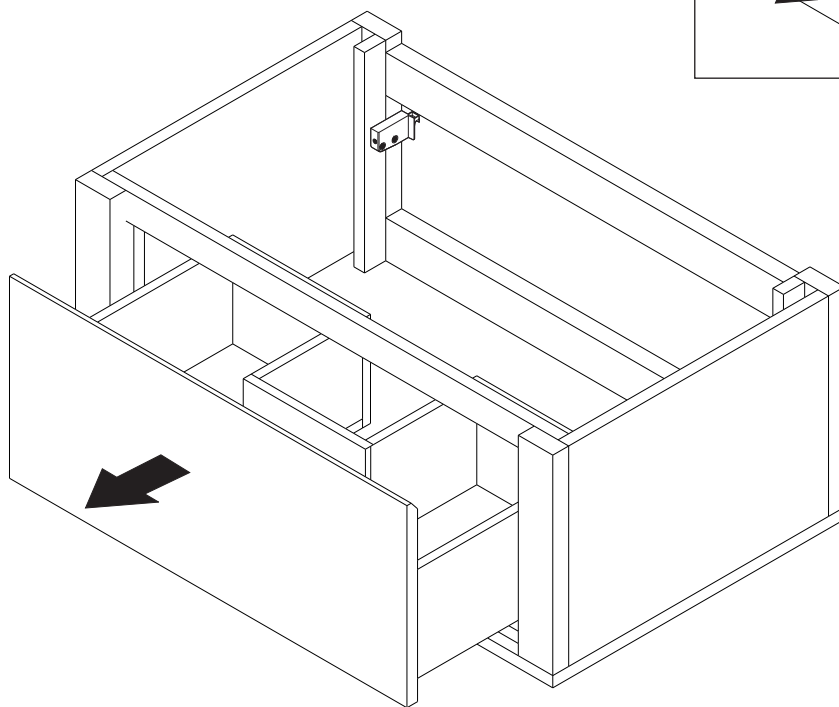


Code	X
58111	76.5
58112	106.5

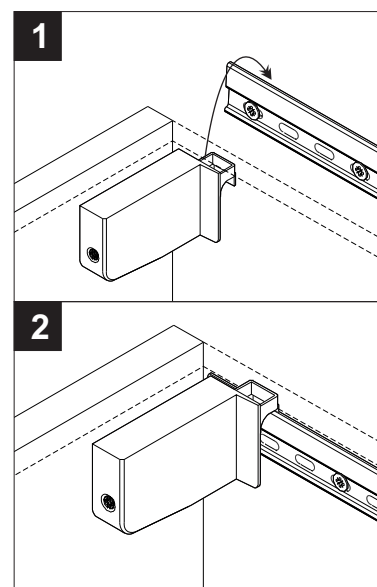
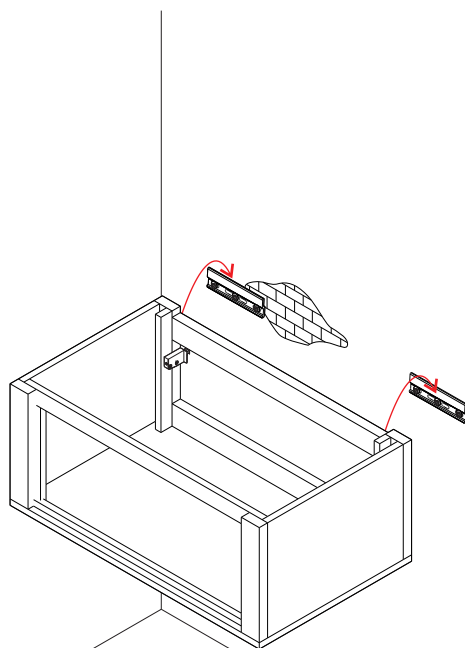
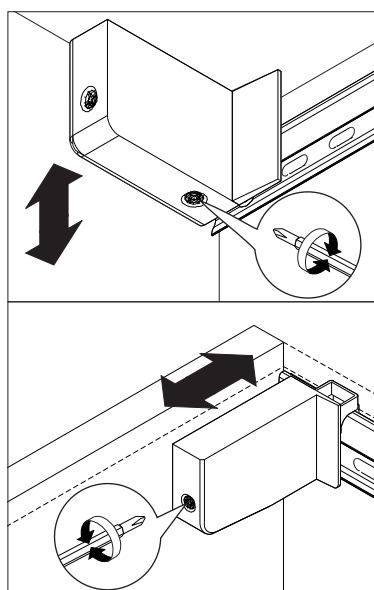


58111-58112 OAK QUALITIME BATHROOM CABINET - 1 DRAWER  
ASSEMBLY INSTRUCTION FOR HANGING CABINET INSTALLATION

**D. REMOVING THE DRAWERS**



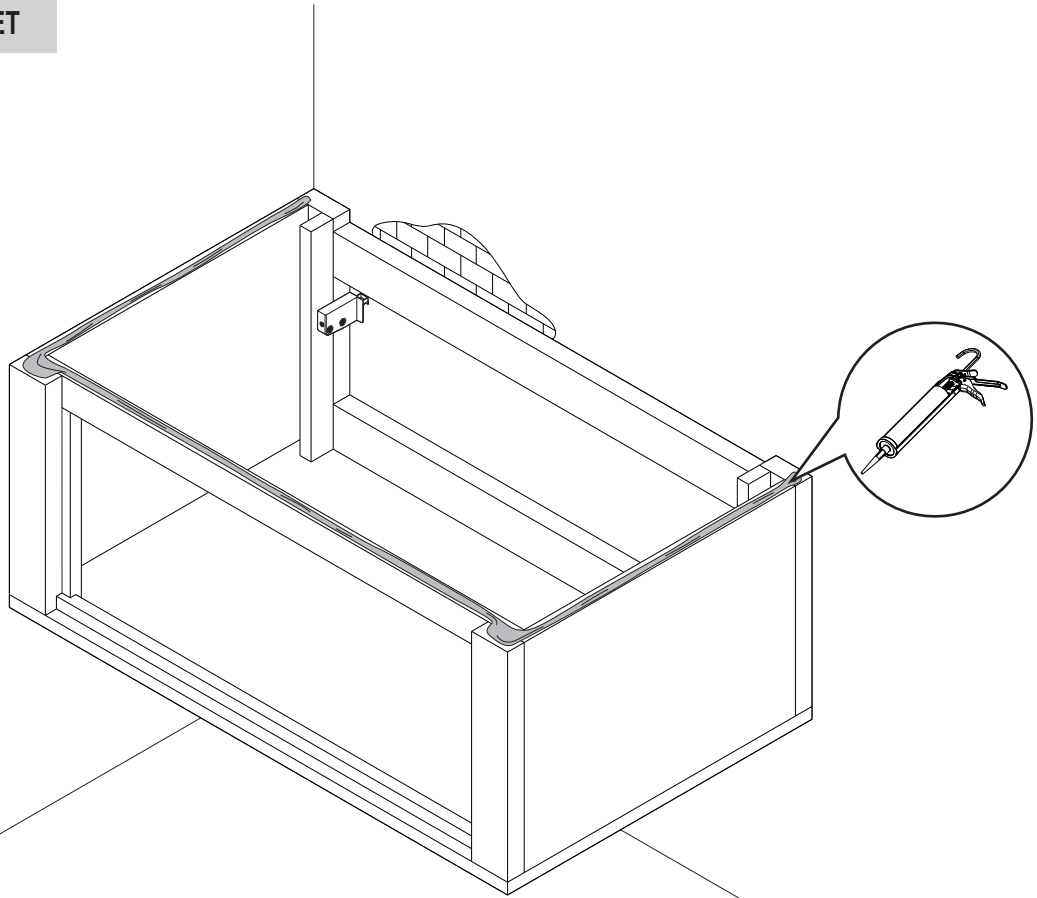
**E. INSTALLING ITEM TO THE MOUNTING PLATES**



⚠ ADJUST IF NECESSARY

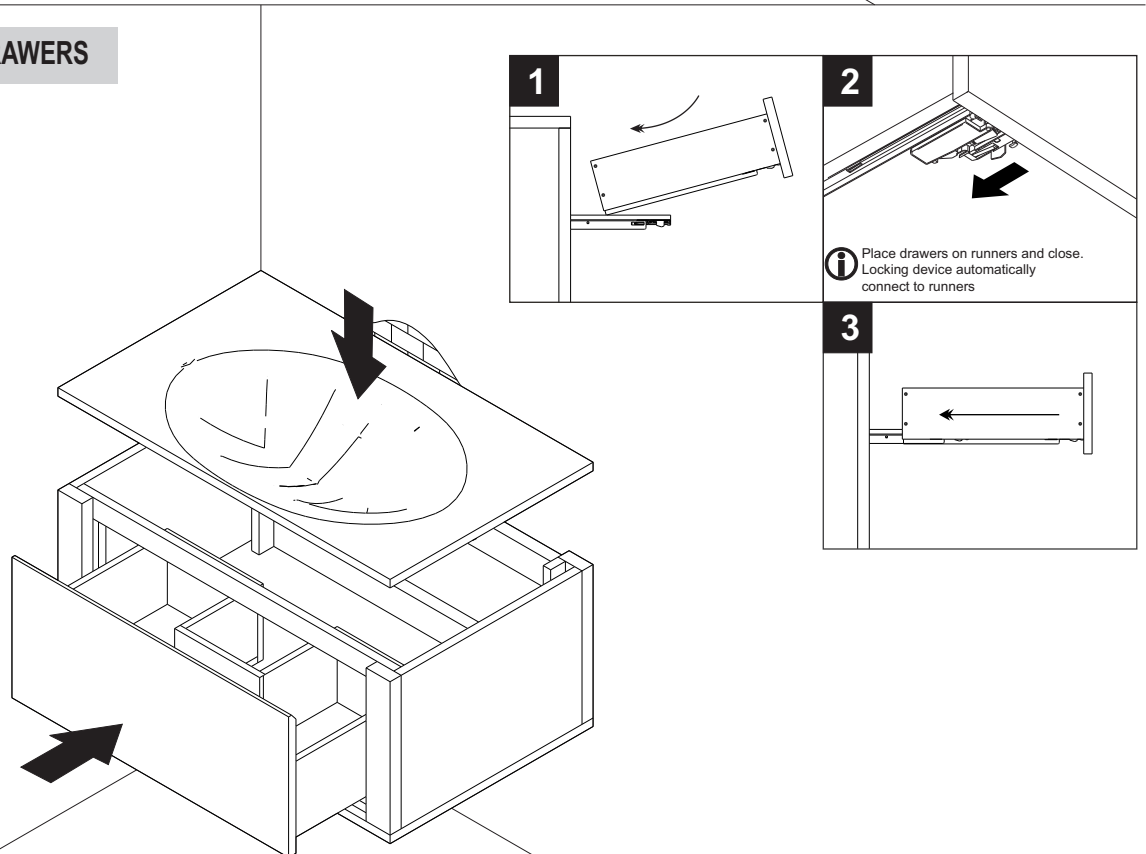
## 58111-58112 OAK QUALITIME BATHROOM CABINET - 1 DRAWER ASSEMBLY INSTRUCTION FOR HANGING CABINET INSTALLATION

### F. GLUEING THE CABINET



**!** BASIN MIGHT BE SLIGHTLY DIFFERENT FROM ILLUSTRATION

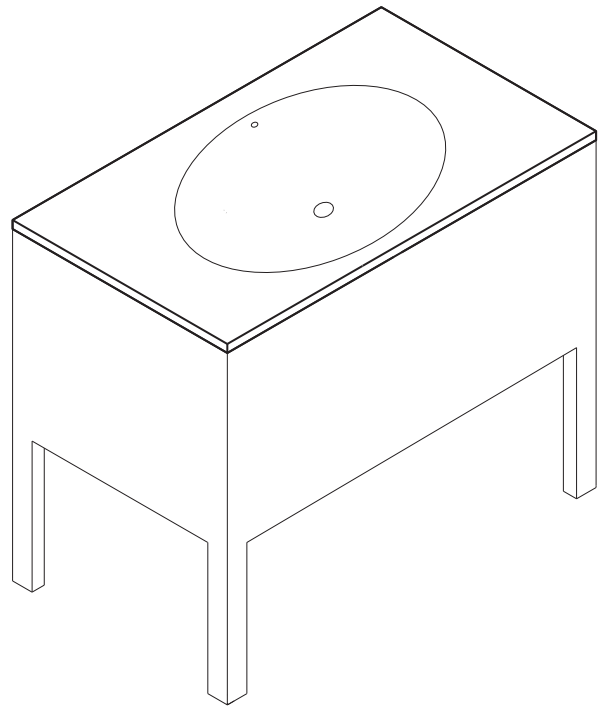
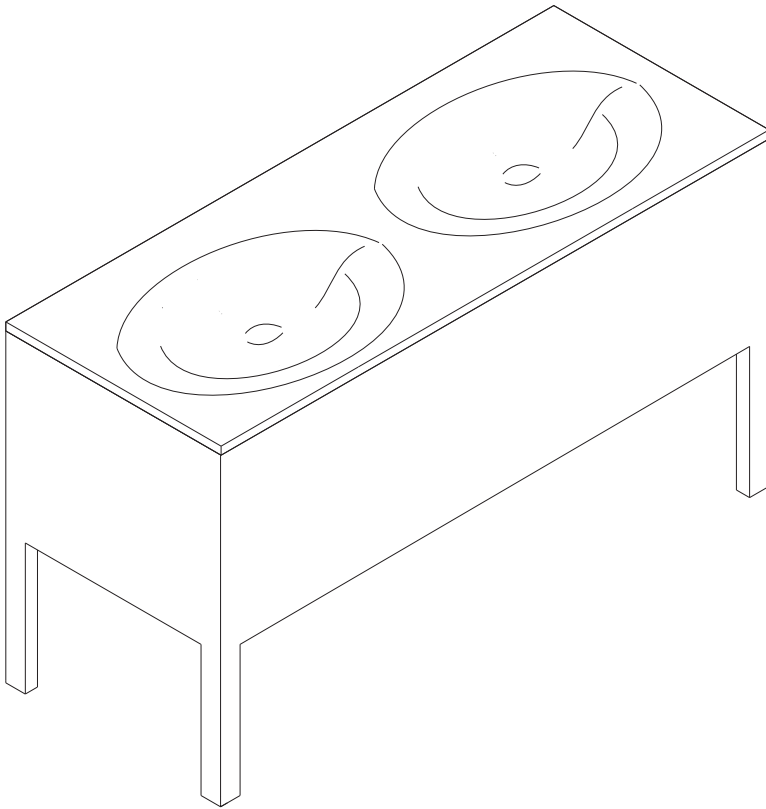
### G. INSTALLING BASIN & DRAWERS



**!** WAIT 24 HOURS TO LET IT DRY NATURALLY

## SOLID SURFACE BATHROOM SINK ASSEMBLY INSTRUCTION FOR SINK INSTALLATION

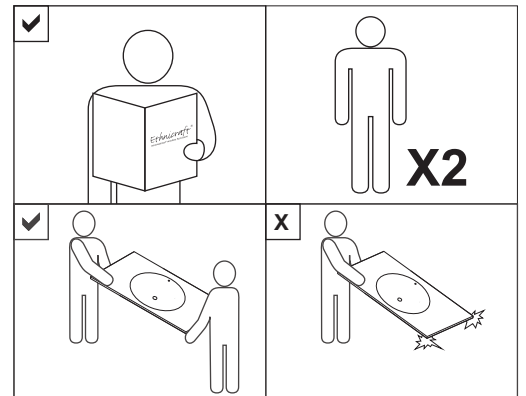
### TOOL



### NOTICE



**READ INSTRUCTIONS COMPLETELY BEFORE INSTALLATION.  
SEEK THE ADVICE OF A PROFESSIONAL IF YOU ARE NOT  
FAMILIAR WITH THESE INSTALLATION**



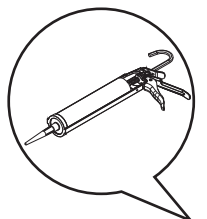
### SYMBOLS



DIRECTION



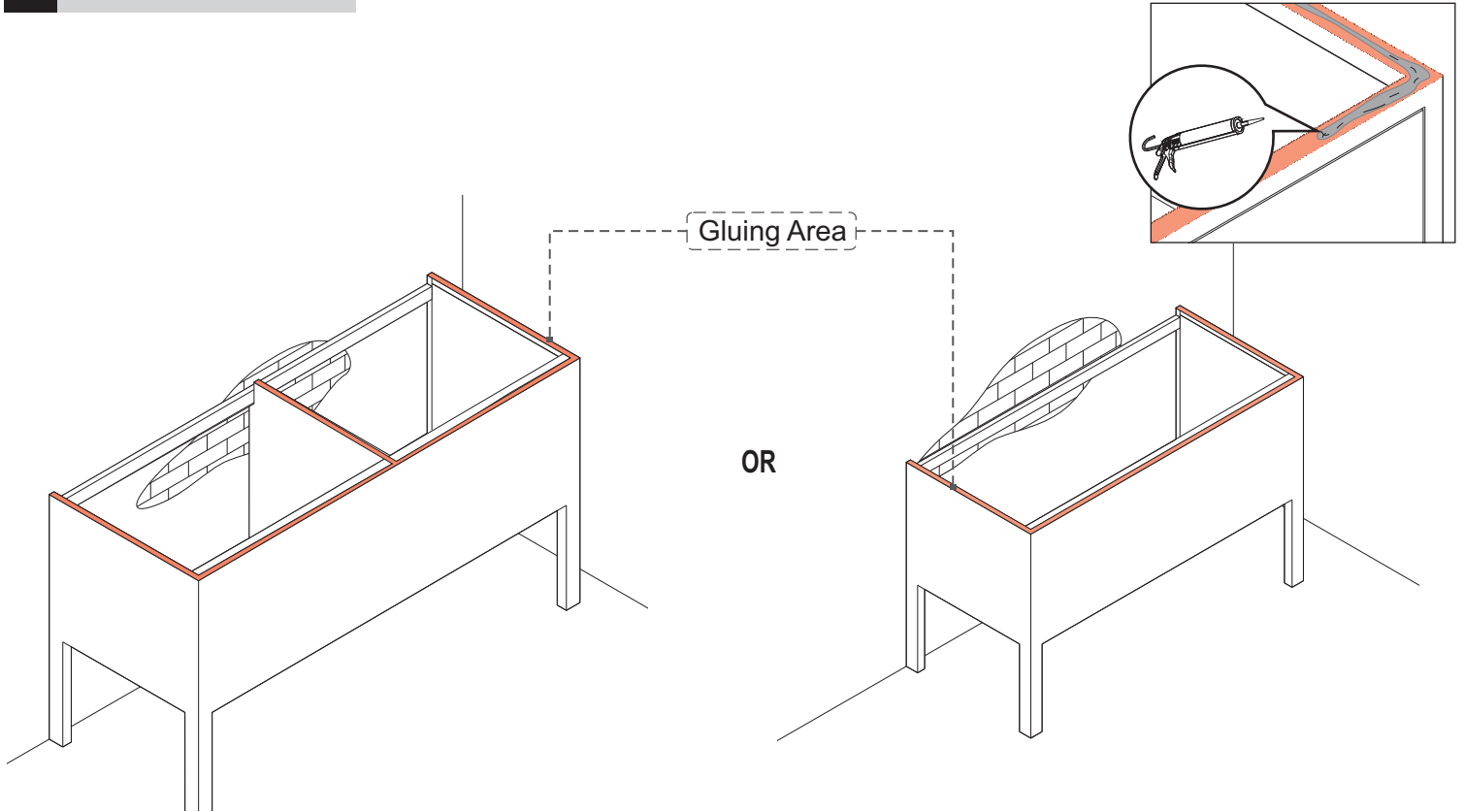
NUMBER OF  
PERSON NEEDED



USE SILICONE GLUE

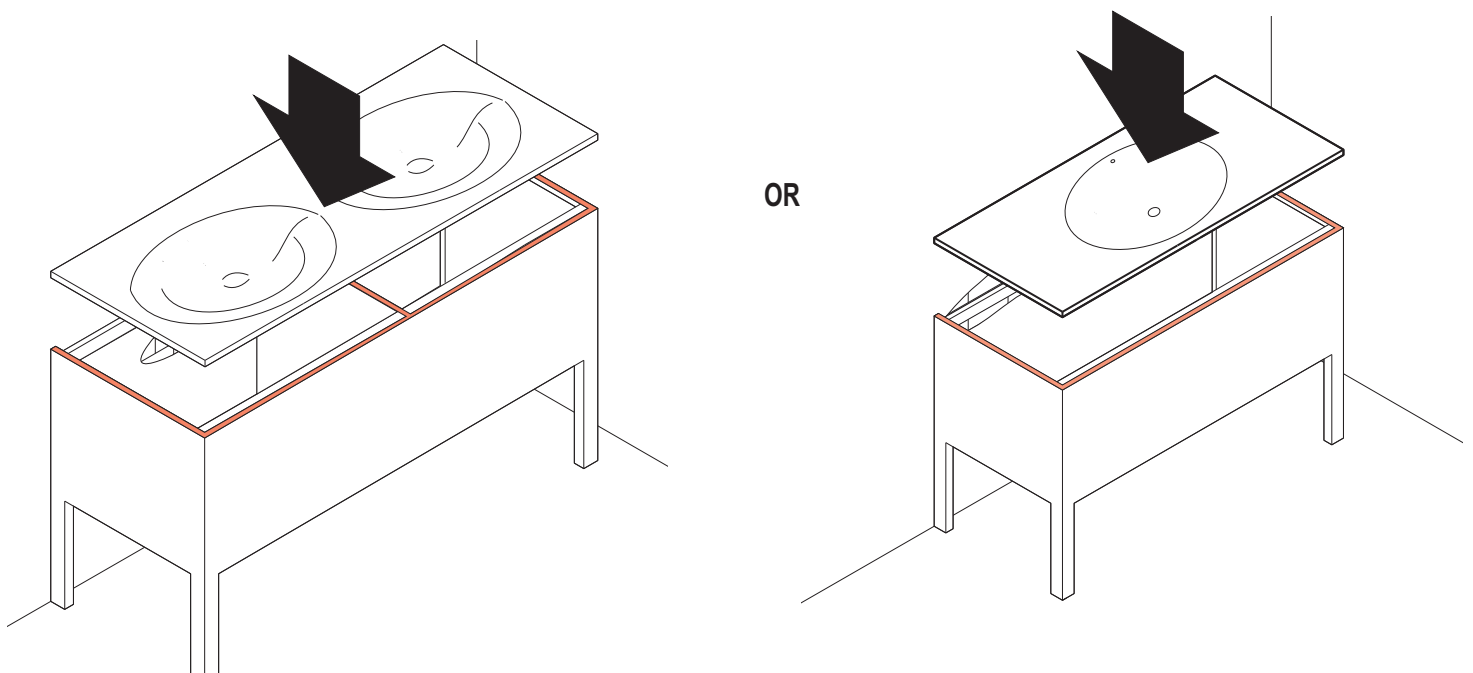
## SOLID SURFACE BATHROOM WASH SINK ASSEMBLY INSTRUCTION FOR WASH SINK INSTALLATION

### A. GLUING THE CABINET

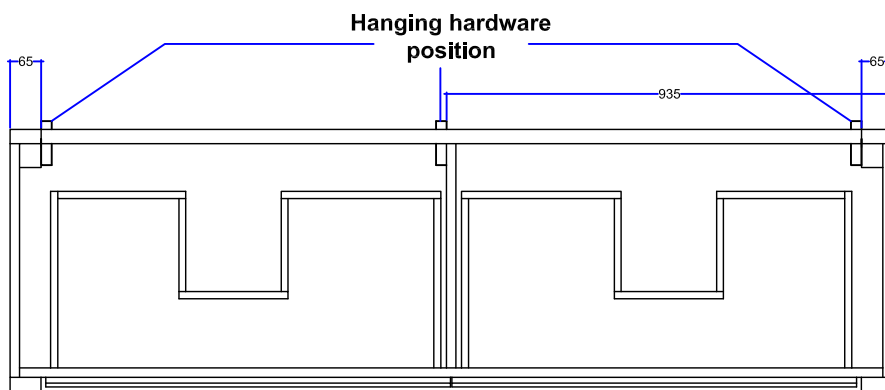
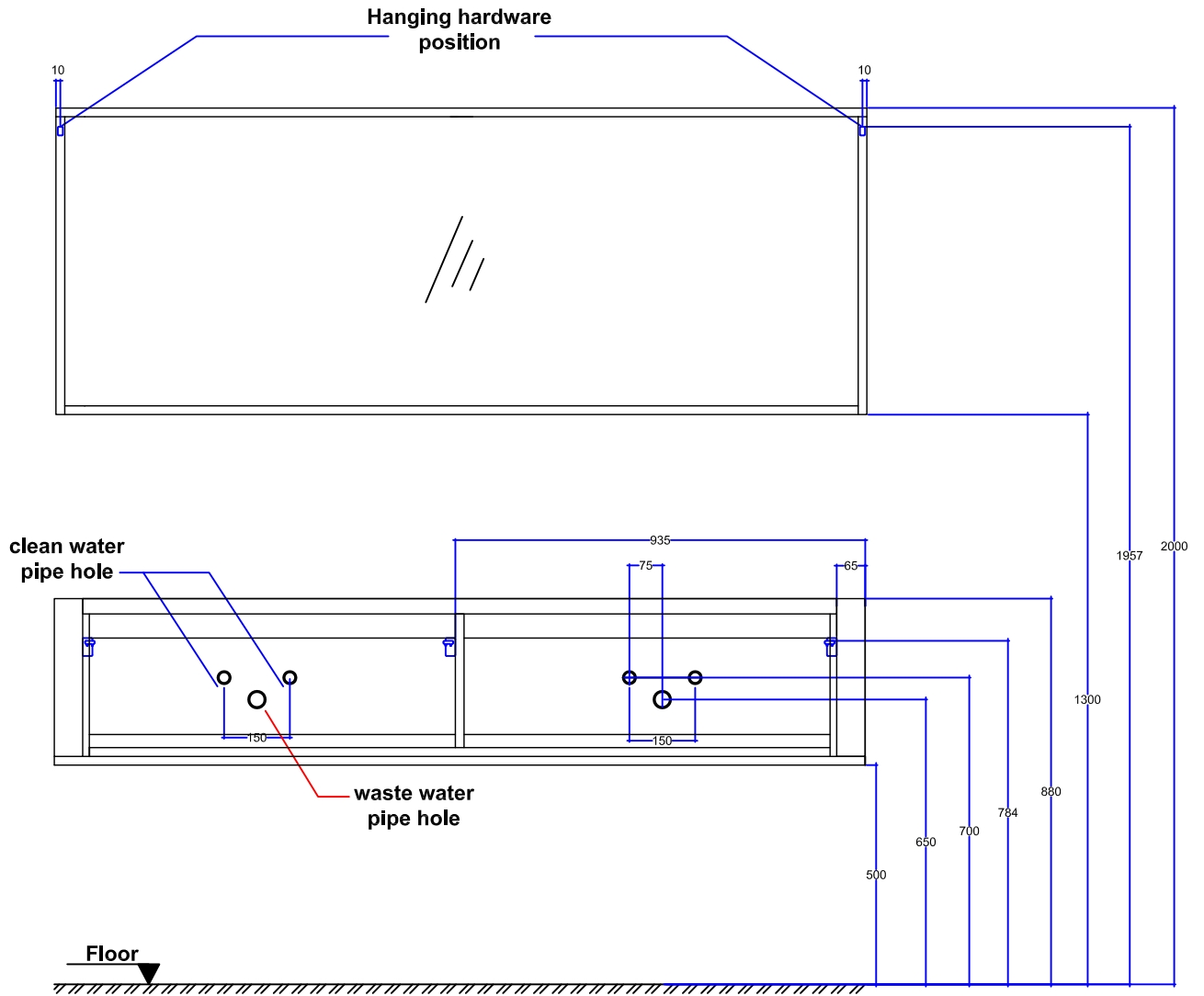


**!** CABINET MIGHT BE SLIGHTLY DIFFERENT FROM ILLUSTRATION

### B. INSTALLING SINK



**!** WAIT 24 HOURS TO LET IT DRY NATURALLY



Bathroom Cabinet  
Top Section

NOTE :  
These suspension heights are only a recommendation, not an obligation.  
The suspension heights depend on the preferences of the customer.

Remark :  
- Material : oak solid