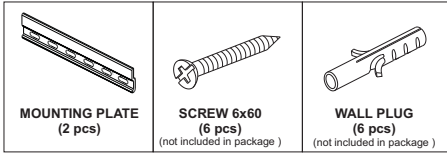


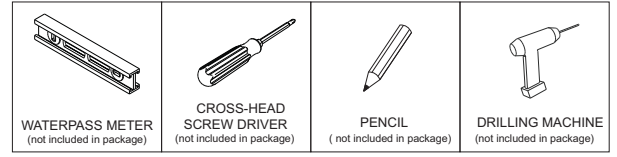
58063 OAK SHADOW BATHROOM MIRROR CABINET

ASSEMBLY INSTRUCTION FOR HANGING MIRROR CABINET INSTALLATION

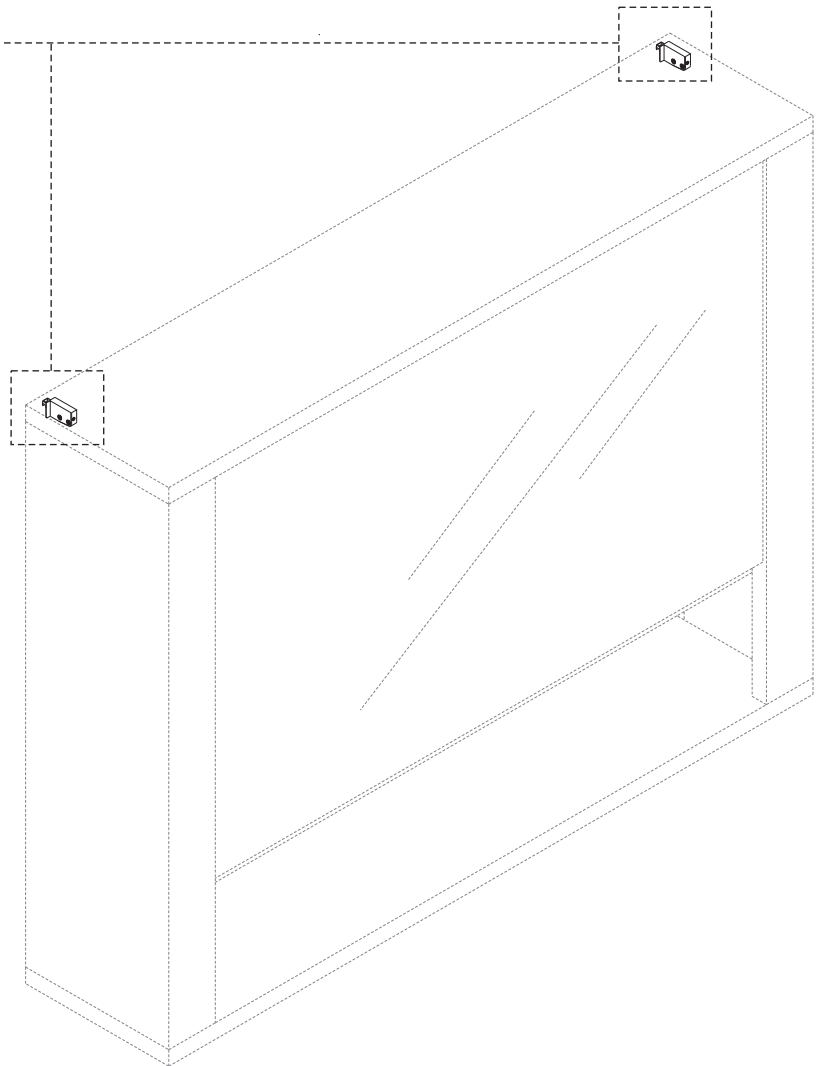
HARDWARES



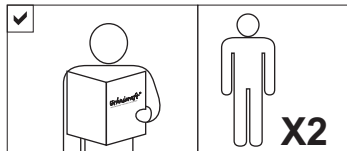
TOOLS



HANGING HARDWARES



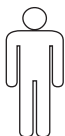
NOTICE



SYMBOLS



DIRECTION



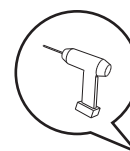
NUMBER OF PERSON NEEDED



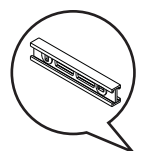
USE PENCIL TO MARK



USE SCREW DRIVER TO TIGHTEN



USE DRILLING MACHINE

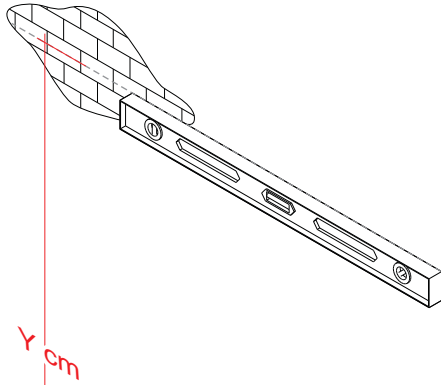


USE WATER PASS METER

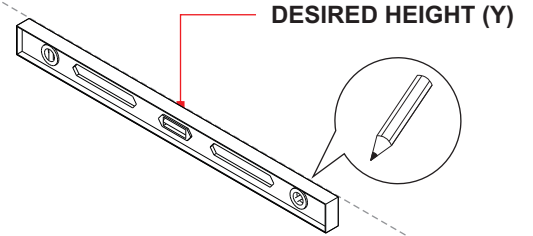
58063 OAK SHADOW BATHROOM MIRROR CABINET

ASSEMBLY INSTRUCTION FOR HANGING MIRROR CABINET INSTALLATION

A. SET DESIRED HEIGHT



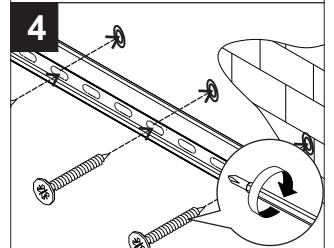
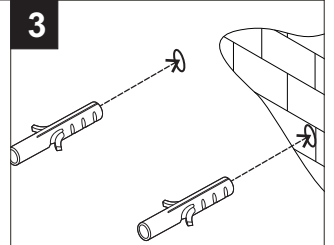
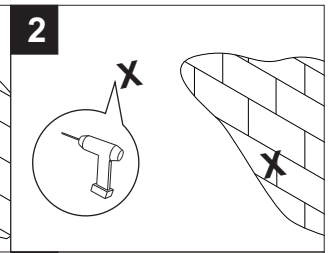
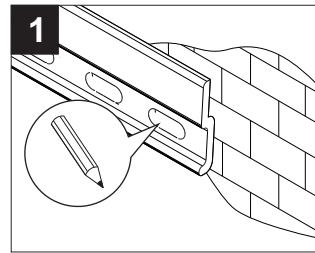
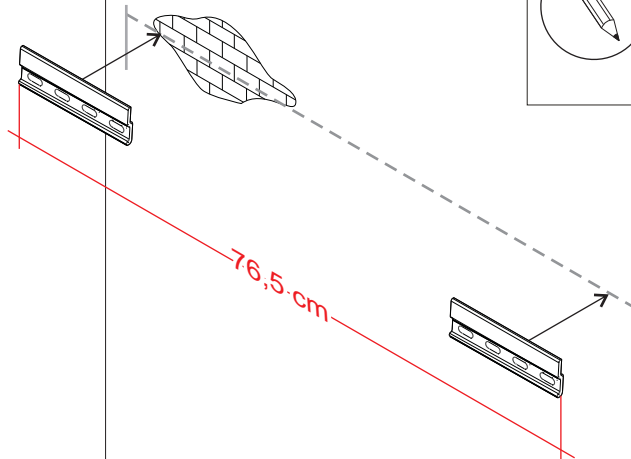
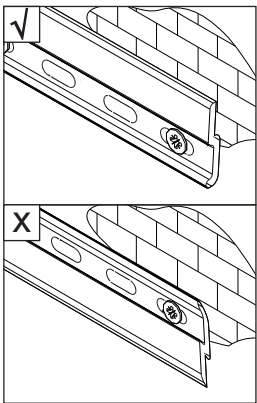
B. MAKE MARKS FOR DRILLING POINT



USE WATERPASS FOR ALIGNMENT
Y = DESIRED HEIGHT OF THE ITEM

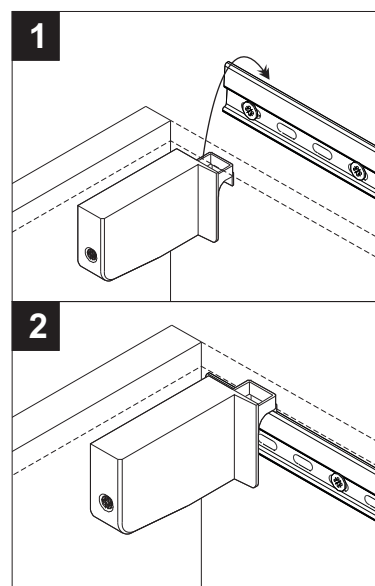
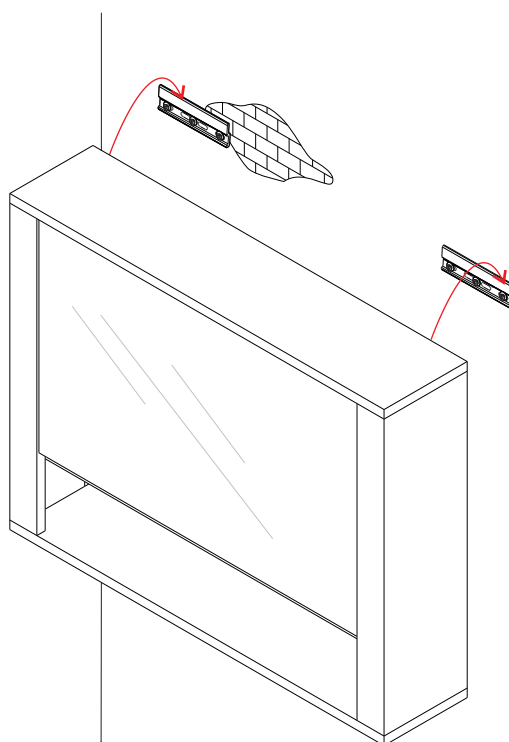
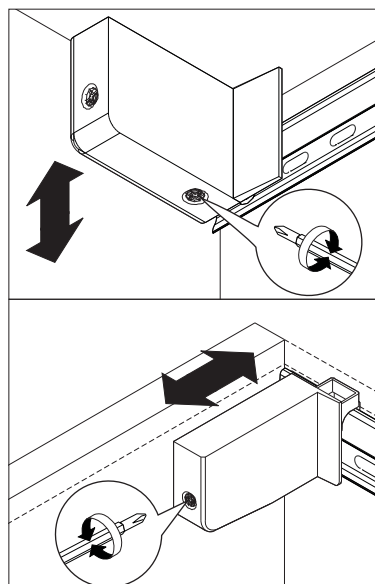
C. INSTALLING MOUNTING PLATES

NOTE :



58063 OAK SHADOW BATHROOM MIRROR CABINET
ASSEMBLY INSTRUCTION FOR HANGING MIRROR CABINET INSTALLATION

D. INSTALLING ITEM TO THE MOUNTING PLATES



! - ADJUST IF NECESSARY
- UNINSTALL THE ADJUSTABLE SHELF
BEFORE INSTALLING ITEM

E. INSTALLING ADJUSTABLE SHELF

