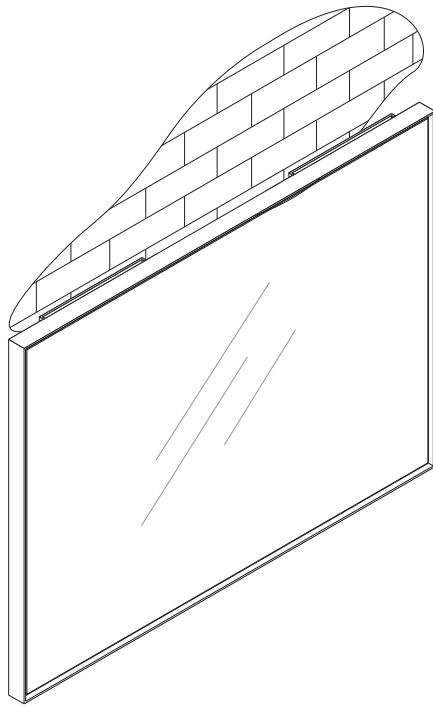


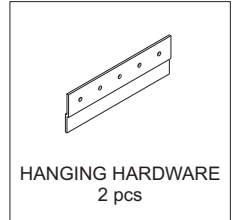
## OAK QUALITIME BATHROOM MIRROR ASSEMBLY INSTRUCTION FOR MIRROR INSTALLATION



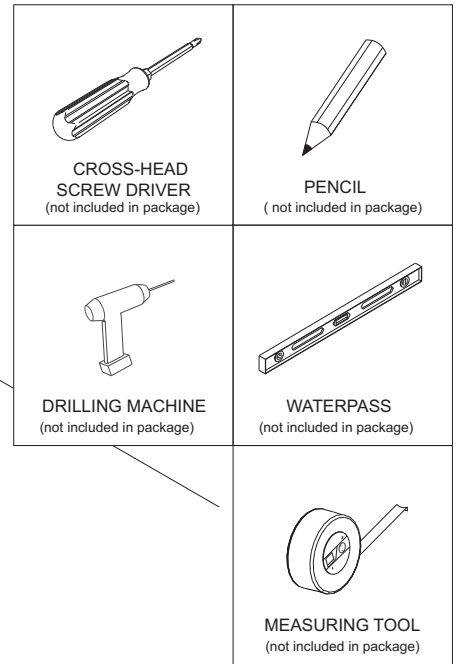
**AS WALL MATERIALS VARY, SCREWS FOR FIXING TO WALL ARE NOT INCLUDED. FOR ADVICE ON SUITABLE SCREW SYSTEMS, CONTACT YOUR LOCAL SPECIALISED DEALER.**



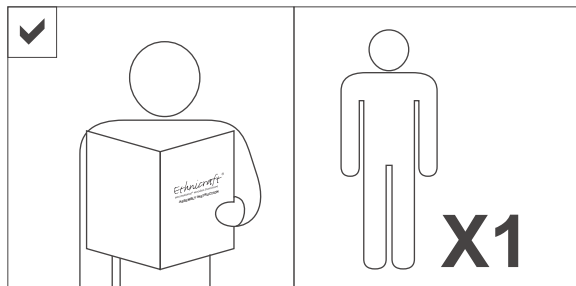
### HARDWARE



### TOOLS



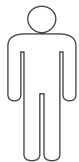
### NOTICE



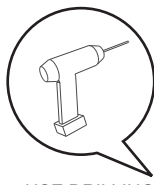
### SYMBOLS



DIRECTION



NUMBER OF PERSON NEEDED



USE DRILLING MACHINE



USE SCREW DRIVER TO TIGHTEN



USE PENCIL

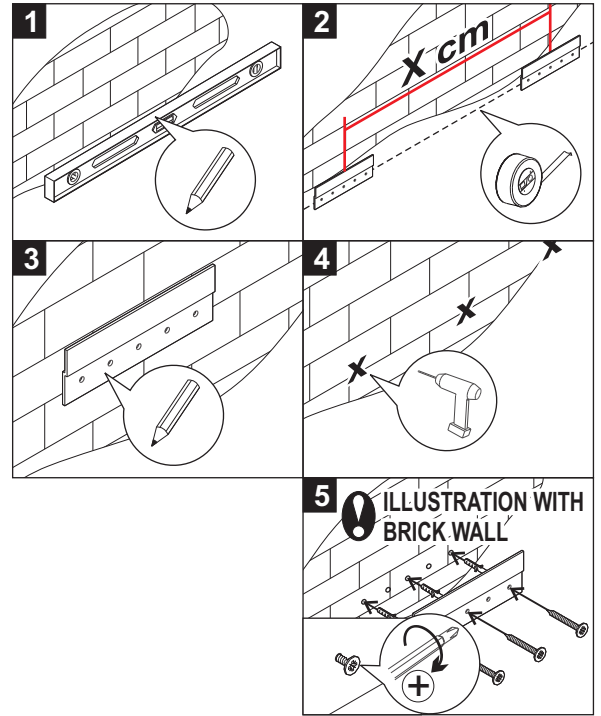
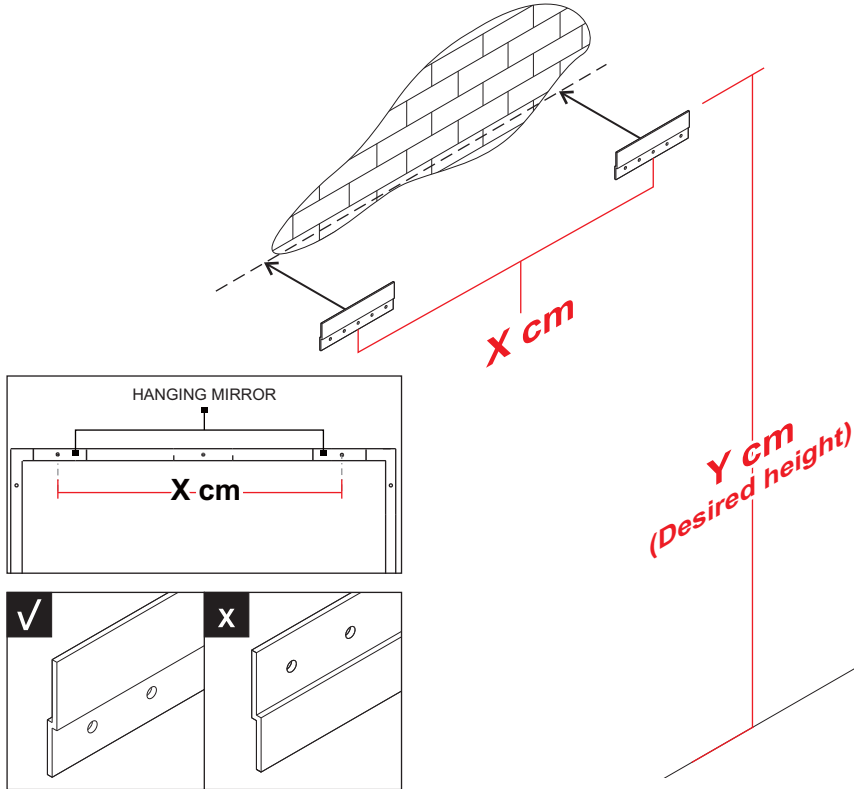


USE MEASURING TOOL

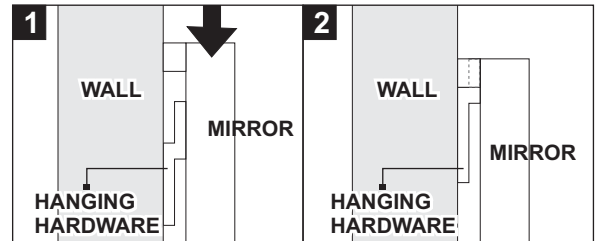
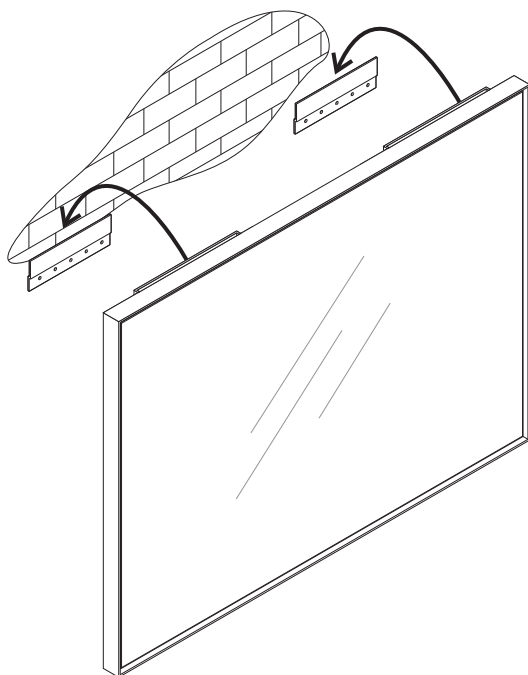
## OAK QUALITIME BATHROOM MIRROR ASSEMBLY INSTRUCTION FOR MIRROR INSTALLATION

### A. HORIZONTAL POSITION

#### 1 INSTALLING HANGING HARDWARE ON THE WALL



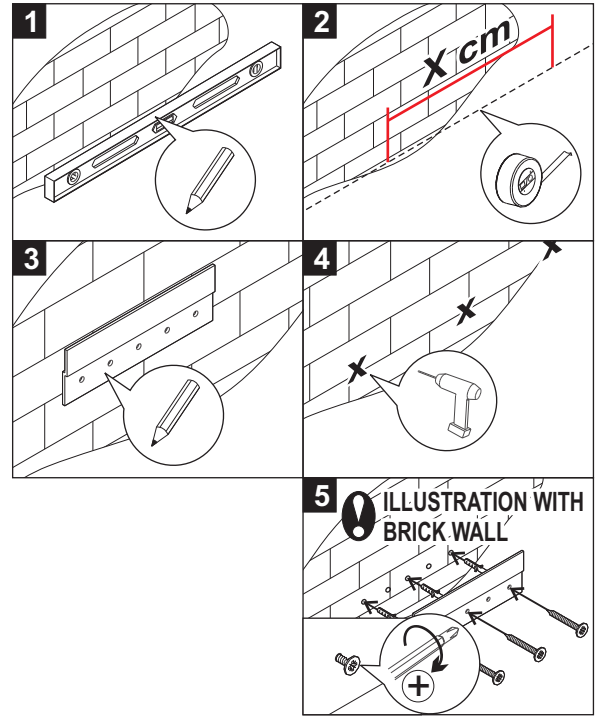
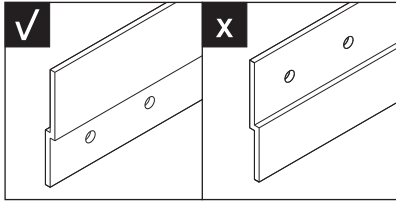
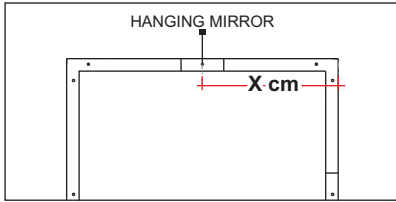
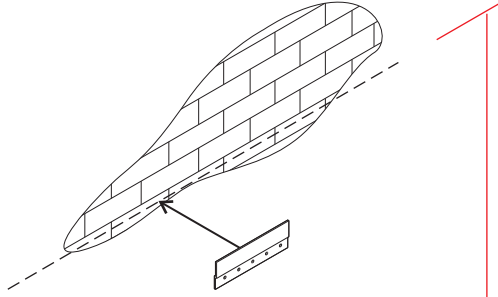
#### 2 HANGING MIRROR TO THE HANGING HARDWARE



## OAK QUALITIME BATHROOM MIRROR ASSEMBLY INSTRUCTION FOR MIRROR INSTALLATION

### B. VERTICAL POSITION

#### 1 INSTALLING HANGING HARDWARE ON THE WALL



#### 2 HANGING MIRROR TO THE HANGING HARDWARE

